



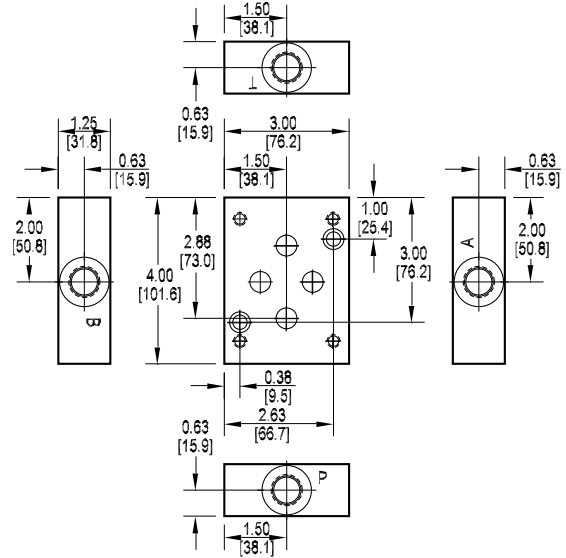
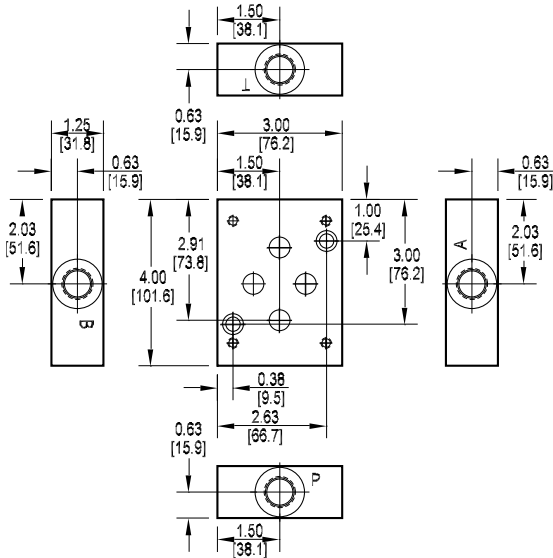
## Daman S80, S81 Servo Subplates

### S80 Side Ported Subplate

Valve mtg: UNC 0.25-20 x 0.75 DP or  
Metric M6-1.0mm ISO 6H x [19] DP  
Subplate mounting hardware is supplied.  
See page 102 for itemized list.

### S81 Side Ported Subplate

Valve mtg: UNC 0.31-18 x 0.88 DP or  
Metric M8-1.25mm ISO 6H x [22.2] DP  
Subplate mounting hardware is supplied.  
See page 102 for itemized list.



Specifications, descriptions, and dimensional data are subject to correction or change without notice or incurring obligation.

5

## Ordering Information

