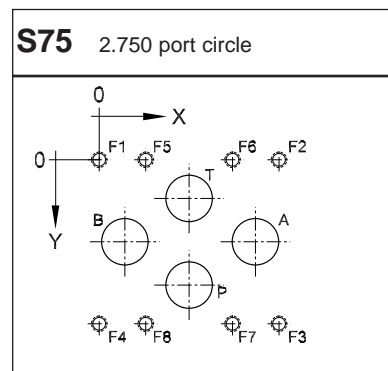
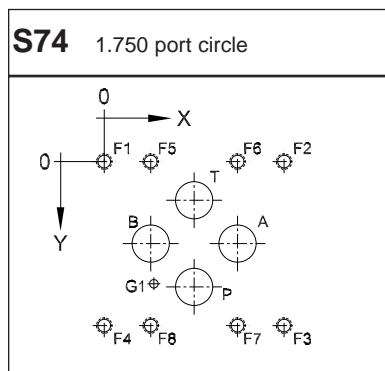
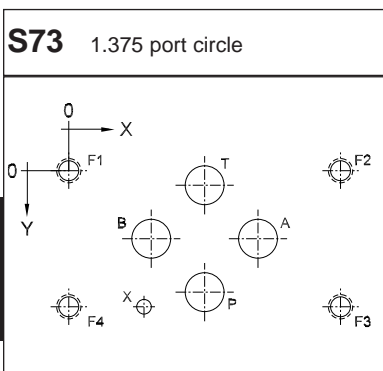
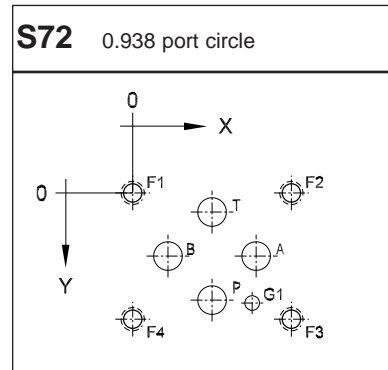
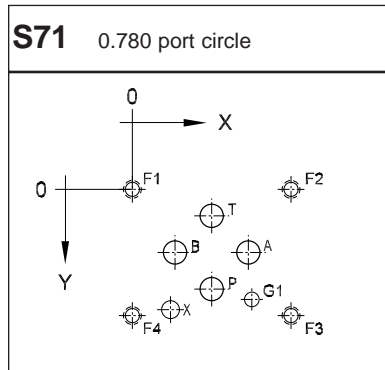
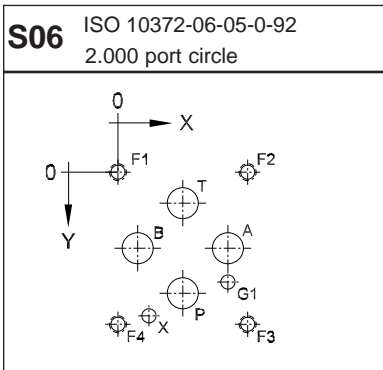
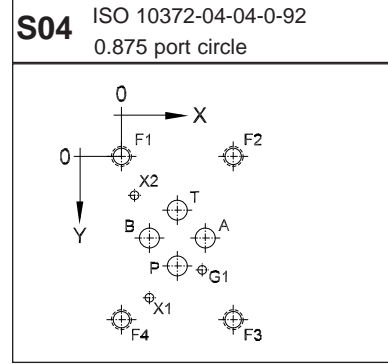
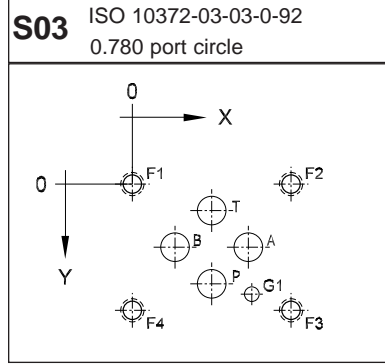
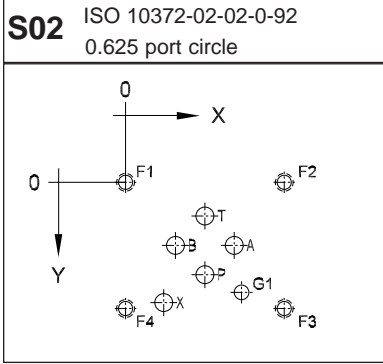




## Servo Valve Patterns

These drawings are for reference only. Please consult the appropriate standard when dimensions are critical. Dimensions may vary on our products. It should not be assumed that each hole shown is found on a given product.



Continued pages 160-161

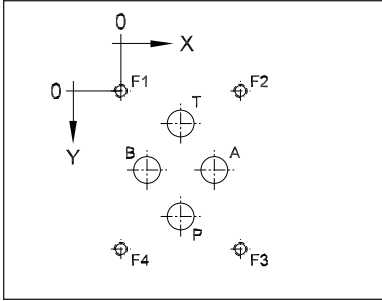
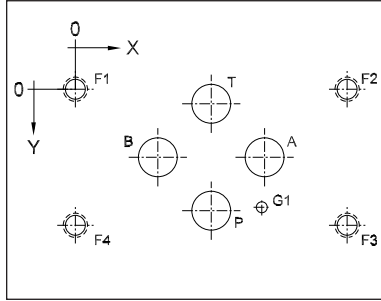
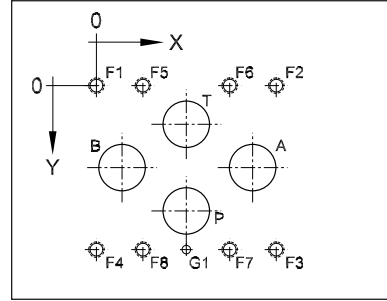
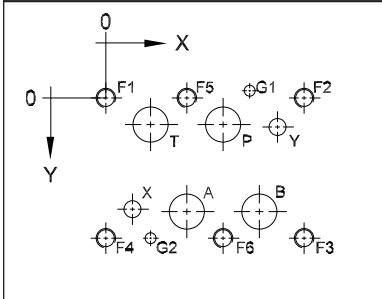
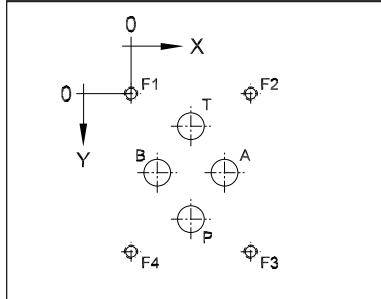
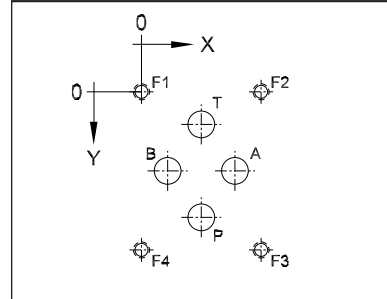
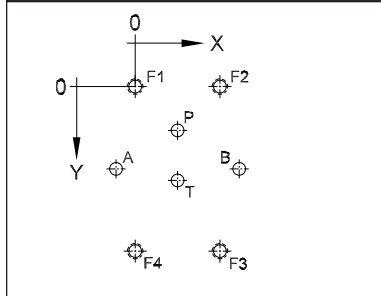


Pattern	Axis	P	A	T	B	X1	X2	F1	F2	F3	F4	F5	F6	F7	F8	G1
<b>S02</b>	X	0.84 [21.4]	1.16 [29.4]	0.84 [21.4]	0.53 [13.5]	0.41 [10.3]	--	0 [0]	1.69 [42.9]	1.69 [42.9]	0 [0]	--	--	--	--	1.23 [31.3]
	Y	0.98 [25.0]	0.67 [17.1]	0.36 [9.1]	0.67 [17.1]	1.28 [32.5]	--	0 [0]	0 [0]	1.34 [34.1]	1.34 [34.1]	--	--	--	--	1.17 [29.8]
	φ (max)	0.17 [4.5]	0.17 [4.5]	0.17 [4.5]	0.17 [4.5]	0.17 [4.5]	--	#10-32 M5	#10-32 M5	#10-32 M5	#10-32 M5	--	--	--	--	--
<b>S03</b>	X	0.84 [21.4]	1.23 [31.2]	0.84 [21.4]	0.45 [11.4]	--	--	0 [0]	1.69 [42.9]	1.69 [42.9]	0 [0]	--	--	--	--	1.30 [33.0]
	Y	1.06 [26.9]	0.67 [17.1]	0.28 [7.1]	0.67 [17.1]	--	--	0 [0]	0 [0]	1.34 [34.1]	1.34 [34.1]	--	--	--	--	1.17 [29.8]
	φ (max)	0.31 [7.9]	0.31 [7.9]	0.31 [7.9]	0.31 [7.9]	--	--	.25-28 M6	.25-28 M6	.25-28 M6	.25-28 M6	--	--	--	--	--
<b>S04</b>	X	0.88 [22.2]	1.31 [33.3]	0.88 [22.2]	0.44 [11.1]	0.44 [11.1]	0.21 [5.2]	0 [0]	1.75 [44.5]	1.75 [44.5]	0 [0]	--	--	--	--	1.27 [32.2]
	Y	1.72 [43.6]	1.28 [32.5]	0.84 [21.4]	1.28 [32.5]	2.22 [56.3]	0.61 [15.5]	0 [0]	0 [0]	2.56 [65.0]	2.56 [65.0]	--	--	--	--	1.78 [45.2]
	φ (max)	0.31 [7.9]	0.31 [7.9]	0.31 [7.9]	0.31 [7.9]	0.16 [4.0]	0.16 [4.0]	.31-18 M8	.31-18 M8	.31-18 M8	.31-18 M8	--	--	--	--	--
<b>S06</b>	X	1.44 [36.5]	2.44 [61.9]	1.44 [36.5]	0.44 [11.1]	0.69 [17.4]	--	0 [0]	2.88 [73.0]	2.88 [73.0]	0 [0]	--	--	--	--	2.44 [61.9]
	Y	2.69 [68.3]	1.69 [42.9]	0.69 [17.4]	1.69 [42.9]	3.19 [81.0]	--	0 [0]	0 [0]	3.38 [85.7]	3.38 [85.7]	--	--	--	--	2.44 [61.9]
	φ (max)	0.69 [17.4]	0.69 [17.4]	0.69 [17.4]	0.69 [17.4]	0.25 [6.3]	--	.38-16 M10	.38-16 M10	.38-16 M10	.38-16 M10	--	--	--	--	--
<b>S71</b>	X	0.84 [21.4]	1.23 [31.2]	0.84 [21.4]	0.45 [11.4]	0.41 [10.3]	--	0 [0]	1.69 [42.9]	1.69 [42.9]	0 [0]	--	--	--	--	1.23 [31.3]
	Y	1.06 [26.9]	0.67 [17.1]	0.28 [7.1]	0.67 [17.1]	1.28 [32.5]	--	0 [0]	0 [0]	1.34 [34.1]	1.34 [34.1]	--	--	--	--	1.17 [29.8]
	φ (max)	0.25 [6.3]	0.25 [6.3]	0.25 [6.3]	0.25 [6.3]	0.16 [4.0]	--	#10-32 M5	#10-32 M5	#10-32 M5	#10-32 M5	--	--	--	--	--
<b>S72</b>	X	0.84 [21.4]	1.31 [33.4]	0.84 [21.4]	0.38 [9.5]	--	--	0 [0]	1.69 [42.9]	1.69 [42.9]	0 [0]	--	--	--	--	1.23 [31.3]
	Y	1.14 [29.0]	0.67 [17.1]	0.20 [5.2]	0.67 [17.1]	--	--	0 [0]	0 [0]	1.34 [34.1]	1.34 [34.1]	--	--	--	--	1.17 [29.8]
	φ (max)	0.31 [7.9]	0.31 [7.9]	0.31 [7.9]	0.31 [7.9]	--	--	.25-20 M6	.25-20 M6	.25-20 M6	.25-20 M6	--	--	--	--	--
<b>S73</b>	X	1.75 [44.5]	2.44 [61.9]	1.75 [44.5]	1.06 [27.0]	0.97 [24.6]	--	0 [0]	3.50 [88.9]	3.50 [88.9]	0 [0]	--	--	--	--	--
	Y	1.56 [39.7]	0.88 [22.2]	0.19 [4.7]	0.88 [22.2]	1.75 [44.5]	--	0 [0]	0 [0]	1.75 [44.5]	1.75 [44.5]	--	--	--	--	--
	φ (max)	0.50 [12.7]	0.50 [12.7]	0.50 [12.7]	0.50 [12.7]	0.19 [4.8]	--	.31-18 M8	.31-18 M8	.31-18 M8	.31-18 M8	--	--	--	--	--
<b>S74</b>	X	1.81 [46.0]	2.69 [68.2]	1.81 [46.0]	0.94 [23.8]	--	--	0 [0]	3.62 [92.1]	3.62 [92.1]	0 [0]	0.94 [23.8]	2.69 [68.2]	2.69 [68.2]	0.94 [23.8]	1.00 [25.4]
	Y	2.53 [64.3]	1.66 [42.1]	0.78 [19.8]	1.66 [42.1]	--	--	0 [0]	0 [0]	3.31 [84.1]	3.31 [84.1]	0 [0]	0 [0]	3.31 [84.1]	3.31 [84.1]	2.47 [62.7]
	φ (max)	0.75 [19.1]	0.75 [19.1]	0.75 [19.1]	0.75 [19.1]	--	--	.31-24 M8	.31-24 M8	.31-24 M8	.31-24 M8	.31-24 M8	.31-24 M8	.31-24 M8	.31-24 M8	.31-24 M8
<b>S75</b>	X	2.00 [50.8]	3.38 [85.7]	2.00 [50.8]	0.62 [15.9]	--	--	0 [0]	4.00 [101.6]	4.00 [101.6]	0 [0]	1.00 [25.4]	3.00 [76.2]	3.00 [76.2]	1.00 [25.4]	--
	Y	3.62 [92.1]	2.25 [57.1]	0.88 [22.2]	2.25 [57.1]	--	--	0 [0]	0 [0]	4.50 [114.3]	4.50 [114.3]	0 [0]	0 [0]	4.50 [114.3]	4.50 [114.3]	--
	φ (max)	1.00 [25.4]	1.00 [25.4]	1.00 [25.4]	1.00 [25.4]	--	--	.50-13 M12	.50-13 M12	.50-13 M12	.50-13 M12	.50-13 M12	.50-13 M12	.50-13 M12	.50-13 M12	.50-13 M12



## Servo Valve Patterns

These drawings are for reference only. Please consult the appropriate standard when dimensions are critical. Dimensions may vary on our products. It should not be assumed that each hole shown is found on a given product.

**S76****S77****S78****S79****S80****S81****S82**



Pattern	Axis	P	A	T	B	X	Y	F1	F2	F3	F4	F5	F6	F7	F8	G1	G2	
<b>S76</b>	X	1.12 [28.4]	1.75 [44.5]	1.12 [28.4]	0.49 [12.4]	--	--	0 [0]	2.24 [56.9]	2.24 [56.9]	0 [0]	--	--	--	--	--	--	
	Y	2.35 [59.7]	1.48 [37.6]	0.61 [15.5]	1.48 [37.6]	--	--	0 [0]	0 [0]	2.96 [75.2]	2.96 [75.2]	--	--	--	--	--	--	
	φ (max)	0.50 [12.7]	0.50 [12.7]	0.50 [12.7]	0.50 [12.7]	--	--	.25-20 M6	.25-20 M6	.25-20 M6	.25-20 M6	--	--	--	--	--	--	--
<b>S77</b>	X	1.81 [46.0]	2.69 [68.2]	1.81 [46.0]	0.94 [23.8]	--	--	0 [0]	3.62 [92.1]	3.62 [92.1]	0 [0]	--	--	--	--	2.62 [66.6]	--	
	Y	2.06 [52.4]	1.19 [30.2]	0.31 [8.0]	1.19 [30.2]	--	--	0 [0]	0 [0]	2.38 [60.3]	2.38 [60.3]	--	--	--	--	2.00 [50.8]	--	
	φ (max)	0.63 [15.8]	0.63 [15.8]	0.63 [15.8]	0.63 [15.8]	--	--	.31-18 M8	.31-18 M8	.31-18 M8	.31-18 M8	--	--	--	--	0.16 [4.0]	--	--
<b>S78</b>	X	2.18 [55.4]	3.74 [95.0]	2.18 [55.4]	0.62 [15.9]	--	--	0 [0]	4.36 [110.8]	4.36 [110.8]	0 [0]	1.24 [31.5]	3.12 [79.3]	3.12 [79.3]	1.24 [31.5]	2.18 [55.4]	--	
	Y	3.43 [87.2]	2.31 [58.7]	1.19 [30.1]	2.31 [58.7]	--	--	0 [0]	0 [0]	4.62 [117.3]	4.62 [117.3]	0 [0]	0 [0]	4.62 [117.3]	4.62 [117.3]	4.62 [117.3]	4.62 [117.3]	--
	φ (max)	1.13 [28.8]	1.13 [28.8]	1.13 [28.8]	1.13 [28.8]	--	--	.62-11 M16	.62-11 M16	.62-11 M16	.62-11 M16	.62-11 M16	.62-11 M16	.62-11 M16	.62-11 M16	.62-11 M16	0.31 [7.9]	--
<b>S79</b>	X	3.03 [77.0]	2.09 [53.2]	1.16 [29.4]	3.97 [100.8]	0.69 [17.4]	4.44 [112.7]	0 [0]	5.12 [130.2]	5.12 [130.2]	0 [0]	2.09 [53.2]	3.03 [77.0]	--	--	3.72 [94.5]	1.16 [29.4]	
	Y	0.69 [17.5]	2.93 [74.6]	0.69 [17.4]	2.93 [74.6]	2.88 [73.0]	0.75 [19.0]	0 [0]	0 [0]	3.62 [92.1]	3.62 [92.1]	0 [0]	3.62 [92.1]	--	--	-0.19 [-4.8]	3.62 [92.1]	
	φ (max)	0.91 [23.1]	0.91 [23.1]	0.91 [23.1]	0.91 [23.1]	0.44 [11.2]	0.44 [11.2]	.44-14 M12	.44-14 M12	.44-14 M12	.44-14 M12	.44-14 M12	.44-14 M12	--	--	0.28 [7.1]	0.28 [7.1]	
<b>S80</b>	X	1.12 [28.4]	1.75 [44.5]	1.12 [28.4]	0.49 [12.4]	--	--	0 [0]	2.24 [56.9]	2.24 [56.9]	0 [0]	--	--	--	--	--	--	
	Y	2.39 [60.7]	1.61 [38.5]	0.64 [16.3]	1.61 [38.5]	--	--	0 [0]	0 [0]	2.94 [74.6]	2.94 [74.6]	--	--	--	--	--	--	
	φ (max)	0.50 [12.7]	0.50 [12.7]	0.50 [12.7]	0.50 [12.7]	--	--	.25-20 M6	.25-20 M6	.25-20 M6	.25-20 M6	--	--	--	--	--	--	
<b>S81</b>	X	1.12 [28.4]	1.75 [44.5]	1.12 [28.4]	0.49 [12.4]	--	--	0 [0]	2.24 [56.9]	2.24 [56.9]	0 [0]	--	--	--	--	--	--	
	Y	2.38 [60.3]	1.50 [38.1]	0.62 [15.9]	1.50 [38.1]	--	--	0 [0]	0 [0]	3.00 [76.2]	3.00 [76.2]	--	--	--	--	--	--	
	φ (max)	0.50 [12.7]	0.50 [12.7]	0.50 [12.7]	0.50 [12.7]	--	--	.31-18 M8	.31-18 M8	.31-18 M8	.31-18 M8	--	--	--	--	--	--	
<b>S82</b>	X	0.43 [11.0]	-0.20 [-5.0]	0.43 [11.0]	1.06 [27.0]	--	--	0 [0]	0.87 [22.0]	0.87 [22.0]	0 [0]	--	--	--	--	--	--	
	Y	0.45 [11.4]	0.84 [21.4]	0.96 [24.4]	0.84 [21.4]	--	--	0 [0]	0 [0]	1.69 [42.6]	1.69 [42.6]	--	--	--	--	--	--	
	φ (max)	0.13 [3.3]	0.13 [3.3]	0.13 [3.3]	0.13 [3.3]	--	--	M4 M4	M4 M4	M4 M4	M4 M4	--	--	--	--	--	--	