

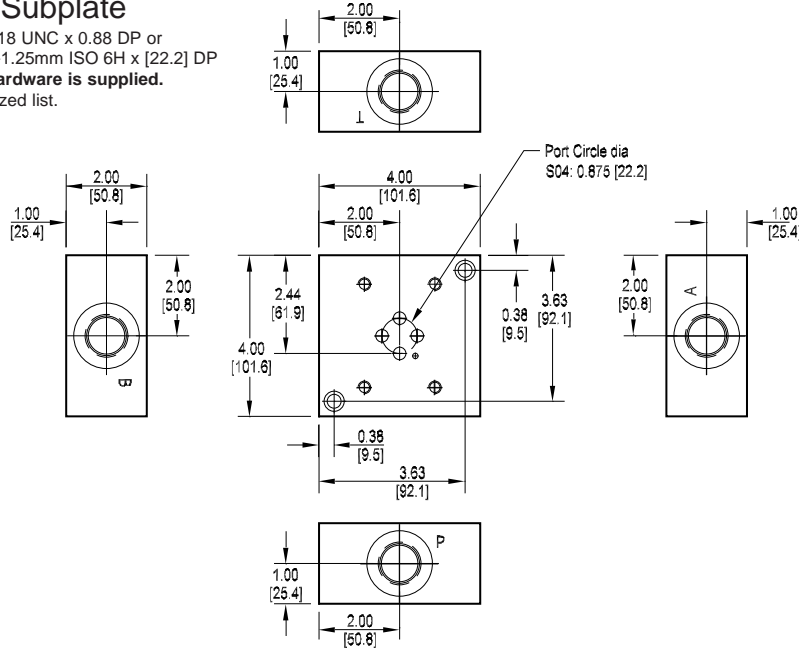


Daman S04 Servo Subplate

0.875 Port Circle

Side Ported Subplate

Valve mtg: UNC 0.31-18 UNC x 0.88 DP or
Metric M8-1.25mm ISO 6H x [22.2] DP
Subplate mounting hardware is supplied.
See page 102 for itemized list.



Specifications, descriptions, and dimensional data are subject to correction or change without notice or incurring obligation.

5

Ordering Information

