



Daman S02, S03, S71, S72 Servo Subplate 0.625, 0.780, 0.938 Port Circle

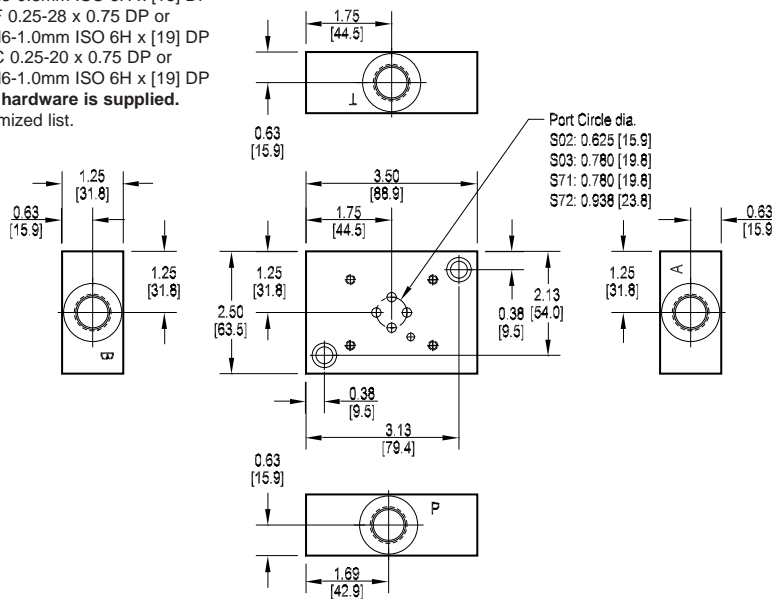
Side Ported Subplate

Valve mtg **S02, S71**: UNF #10-32 x 0.63 DP or
Metric M5-0.8mm ISO 6H x [16] DP

Valve mtg **S03**: UNF 0.25-28 x 0.75 DP or
Metric M6-1.0mm ISO 6H x [19] DP

Valve mtg **S72**: UNC 0.25-20 x 0.75 DP or
Metric M6-1.0mm ISO 6H x [19] DP

Subplate mounting hardware is supplied.
See page 102 for itemized list.



Specifications, descriptions, and dimensional data are subject to correction or change without notice or incurring obligation.

5

Ordering Information

