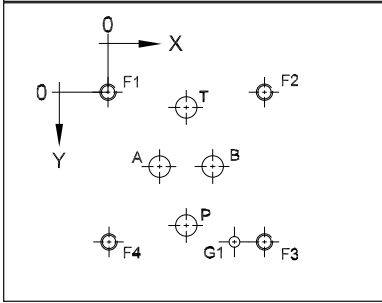




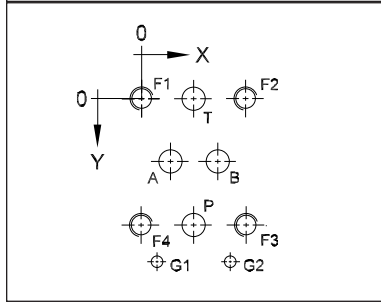
“Obsolete Valve” Patterns

These drawings are for reference only. Please consult the appropriate standard when dimensions are critical. Dimensions may vary on our products. It should not be assumed that each hole shown is found on a given product.

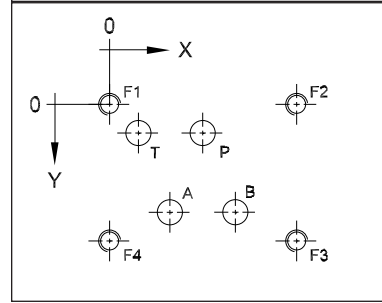
Racine 01Q



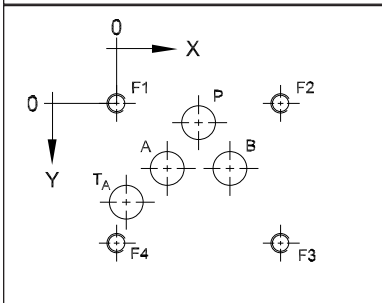
Racine 01S



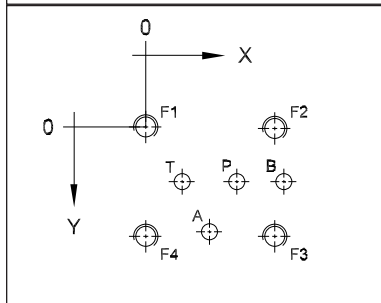
Parker D1B



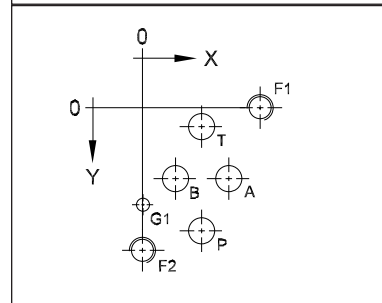
Denison D1D04



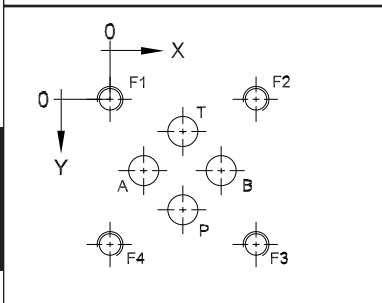
Vickers D1L • Rexroth WE5



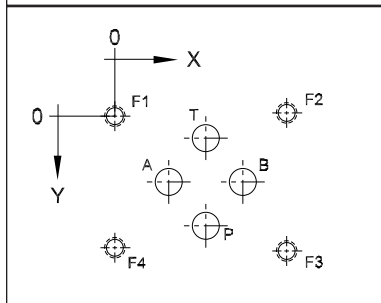
Vickers DG4M4



Republic R8143

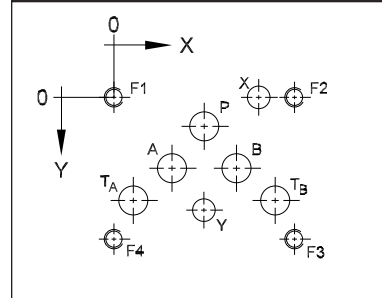


Rivett RVT65



Vickers DG4S4-02

(Same as D06 • NFPA T3.5.1 R2 D06)



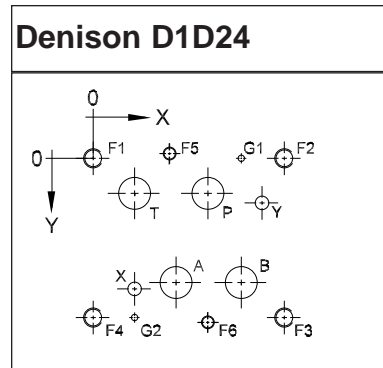
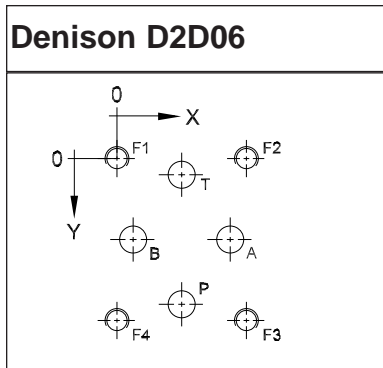
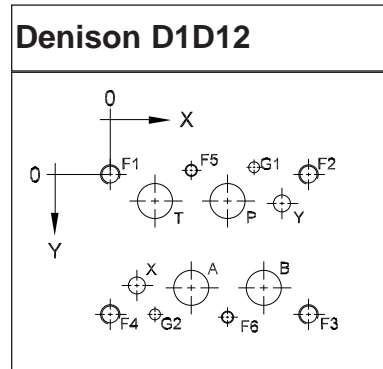
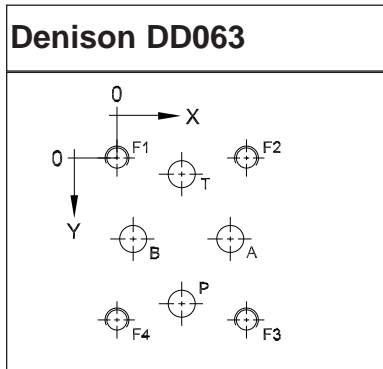


Pattern	Axis	P	A	T (T _A)	T _B	B	X	Y	F1	F2	F3	F4	G1	G2
01Q	X	0.92 [23.3]	0.60 [15.3]	0.92 [23.3]	--	1.23 [31.2]	--	--	0 [0]	1.83 [46.5]	1.83 [46.5]	0 [0]	1.48 [37.6]	--
	Y	1.56 [39.7]	0.88 [22.2]	0.19 [4.9]	--	0.88 [22.3]	--	--	0 [0]	0 [0]	1.75 [44.5]	1.75 [44.5]	1.75 [44.5]	--
	φ (max)	0.25 [6.3]	0.19 [4.8]	0.25 [6.3]	--	0.19 [4.8]	--	--	#10-24 #10-24	#10-24 #10-24	#10-24 #10-24	#10-24 #10-24	0.16 [4.0]	--
01S	X	0.61 [15.5]	0.30 [7.6]	0.61 [15.5]	--	0.92 [23.4]	--	--	0 [0]	1.22 [30.9]	1.22 [30.9]	0 [0]	0.24 [6.1]	0.98 [25.0]
	Y	1.37 [35.0]	0.69 [17.5]	0 [0]	--	0.69 [17.5]	--	--	0 [0]	0 [0]	1.37 [35.0]	1.37 [35.0]	1.75 [44.5]	1.75 [44.5]
	φ (max)	0.25 [6.3]	0.19 [4.8]	0.25 [6.3]	--	0.19 [4.8]	--	--	.25-20 .25-20	.25-20 .25-20	.25-20 .25-20	.25-20 .25-20	0.16 [4.0]	0.16 [4.0]
D1B	X	0.81 [20.6]	0.53 [13.5]	0.25 [6.4]	--	1.09 [27.7]	--	--	0 [0]	1.63 [41.3]	1.63 [41.3]	0 [0]	--	--
	Y	0.25 [6.4]	0.94 [23.8]	0.25 [6.4]	--	0.94 [23.8]	--	--	0 [0]	0 [0]	1.19 [30.2]	1.19 [30.2]	--	--
	φ (max)	0.22 [5.6]	0.22 [5.6]	0.22 [5.6]	--	0.22 [5.6]	--	--	#10-24 #10-24	#10-24 #10-24	#10-24 #10-24	#10-24 #10-24	--	--
D1D04	X	1.060 [27]	0.72 [16.3]	0.16 [4.0]	--	1.44 [36.5]	--	--	0 [0]	2.125 [54.0]	2.125 [54.0]	0 [0]	--	--
	Y	0.34 [8.7]	0.91 [23.0]	1.22 [31.0]	--	0.91 [23.0]	--	--	0 [0]	0 [0]	1.812 [46.0]	1.812 [46.0]	--	--
	φ (max)	0.38 [9.6]	0.38 [9.6]	0.38 [9.6]	--	0.38 [9.6]	--	--	.25-20 .25-20	.25-20 .25-20	.25-20 .25-20	.25-20 .25-20	--	--
D1L, WE5	X	0.72 [18.1]	0.51 [12.8]	0.30 [7.4]	--	1.09 [27.6]	--	--	0 [0]	1.02 [25.6]	1.02 [25.6]	0 [0]	--	--
	Y	0.42 [10.9]	0.81 [20.7]	0.42 [10.9]	--	0.42 [10.9]	--	--	0 [0]	0 [0]	0.84 [21.4]	0.84 [21.4]	--	--
	φ (max)	0.13 [3.2]	0.13 [3.2]	0.13 [3.2]	--	0.13 [3.2]	--	--	#10-24 #10-24	#10-24 #10-24	#10-24 #10-24	#10-24 #10-24	--	--
DG4M4	X	0.57 [14.4]	0.82 [20.6]	0.57 [14.4]	--	0.32 [8.1]	--	--	1.13 [28.7]	0 [0]	--	--	0 [0]	--
	Y	1.19 [30.1]	0.69 [17.5]	0.19 [4.8]	--	0.69 [17.5]	--	--	0 [0]	1.37 [34.7]	--	--	0.94 [23.8]	--
	φ (max)	0.25 [6.3]	0.25 [6.3]	0.25 [6.3]	--	0.25 [6.3]	--	--	.25-20 .25-20	.25-20 .25-20	--	--	0.16 [4.0]	--
R8143	X	1.06 [27.0]	0.50 [12.7]	1.06 [27.0]	--	0.50 [12.7]	--	--	0 [0]	2.13 [54.0]	2.13 [54.0]	0 [0]	--	--
	Y	1.60 [40.6]	1.05 [26.7]	0.48 [12.2]	--	1.05 [26.7]	--	--	0 [0]	0 [0]	2.11 [53.7]	2.11 [53.7]	--	--
	φ (max)	0.44 [11.1]	0.44 [11.1]	0.44 [11.1]	--	0.44 [11.1]	--	--	.38-16 .38-16	.38-16 .38-16	.38-16 .38-16	.38-16 .38-16	--	--
RVT65	X	0.85 [21.5]	0.50 [12.7]	0.85 [21.5]	--	1.19 [30.2]	--	--	0 [0]	1.60 [40.6]	1.60 [40.6]	0 [0]	--	--
	Y	1.09 [27.6]	0.61 [15.7]	0.15 [3.8]	--	0.61 [15.7]	--	--	0 [0]	-0.03 [-0.8]	1.26 [32.0]	1.23 [31.3]	--	--
	φ (max)	0.31 [7.9]	0.31 [7.9]	0.31 [7.9]	--	0.31 [7.9]	--	--	#10-24 #10-24	#10-24 #10-24	#10-24 #10-24	#10-24 #10-24	--	--
DG4S4 -02 (D06)	X	1.750 [44.5]	1.120 [28.5]	0.380 [9.7]	3.120 [79.3]	2.380 [60.5]	2.810 [71.4]	1.75 [44.5]	0 [0]	3.500 [88.9]	3.500 [88.9]	0 [0]	--	--
	Y	0.560 [14.3]	1.380 [35.1]	2.000 [50.8]	2.000 [50.8]	1.380 [35.1]	0 [0]	2.180 [55.4]	0 [0]	0 [0]	2.75 [69.9]	2.75 [69.9]	--	--
	φ (max)	0.580 [14.7]	0.580 [14.7]	0.580 [14.7]	0.580 [14.7]	0.580 [14.7]	0.440 [11.2]	0.440 [11.2]	.38-16 .38-16	.38-16 .38-16	.38-16 .38-16	.38-16 .38-16	--	--



“Obsolete Valve” Patterns

These drawings are for reference only. Please consult the appropriate standard when dimensions are critical. Dimensions may vary on our products. It should not be assumed that each hole shown is found on a given product.



Pattern	Axis	P	A	T	B	X	Y	F1	F2	F3	F4	F5	F6	G1	G2
DD063	X	1.50 [38.1]	2.63 [66.7]	1.50 [38.1]	0.38 [9.5]	--	--	0 [0]	3.00 [76.2]	3.00 [76.2]	0 [0]	--	--	--	--
	Y	3.38 [85.7]	1.88 [47.6]	0.38 [9.5]	1.88 [47.6]	--	--	0 [0]	0 [0]	3.75 [95.3]	3.75 [95.3]	--	--	--	--
	φ (max)	0.63 [15.9]	0.63 [15.9]	0.63 [15.9]	0.63 [15.9]	--	--	.50-13 .50-13	.50-13 .50-13	.50-13 .50-13	.50-13 .50-13	--	--	--	--
D1D12	X	3.03 [77.0]	2.09 [53.2]	1.16 [29.4]	3.97 [100.8]	0.69 [17.5]	4.44 [112.7]	0 [0]	5.12 [130.2]	5.12 [130.2]	0 [0]	2.09 [53.2]	3.03 [77.0]	3.72 [94.5]	1.16 [29.4]
	Y	0.69 [17.5]	2.93 [74.6]	0.69 [17.5]	2.93 [74.6]	2.88 [73.0]	0.75 [19.0]	0 [0]	0 [0]	3.62 [92.1]	3.62 [92.1]	0 [0]	3.62 [92.1]	-0.19 [-4.8]	3.62 [92.1]
	φ (max)	0.91 [23.0]	0.91 [23.0]	0.91 [23.0]	0.91 [23.0]	0.44 [11.2]	0.44 [11.2]	.50-13 .50-13	.50-13 .50-13	.50-13 .50-13	.50-13 .50-13	.31-18 .31-18	.31-18 .31-18	0.28 [7.5]	0.28 [7.5]
D2D06	X	1.50 [38.1]	2.63 [66.7]	1.50 [38.1]	0.38 [9.5]	--	--	0 [0]	3.00 [76.2]	3.00 [76.2]	0 [0]	--	--	--	--
	Y	3.38 [85.7]	1.88 [47.6]	0.38 [9.5]	1.88 [47.6]	--	--	0 [0]	0 [0]	3.75 [95.3]	3.75 [95.3]	--	--	--	--
	φ (max)	0.63 [15.9]	0.63 [15.9]	0.63 [15.9]	0.63 [15.9]	--	--	.50-13 .50-13	.50-13 .50-13	.50-13 .50-13	.50-13 .50-13	--	--	--	--
D1D24	X	4.50 [114.3]	3.25 [82.5]	1.63 [41.3]	5.81 [147.6]	1.63 [41.3]	6.63 [168.3]	0 [0]	7.50 [190.5]	7.50 [190.5]	0 [0]	3.00 [76.2]	4.50 [114.3]	5.46 [138.6]	1.62 [41.3]
	Y	1.38 [35.0]	4.87 [123.8]	1.38 [35]	4.87 [123.8]	5.13 [130.2]	1.75 [44.5]	0 [0]	0 [0]	6.25 [158.8]	6.25 [158.8]	0 [0]	6.25 [158.8]	0 [0]	6.25 [158.8]
	φ (max)	1.25 [32.0]	1.25 [32.0]	1.25 [32.0]	1.25 [32.0]	0.44 [11.2]	0.44 [11.2]	.75-10 .75-10	.75-10 .75-10	.75-10 .75-10	.75-10 .75-10	.50-13 .50-13	.50-13 .50-13	0.28 [7.5]	0.28 [7.5]