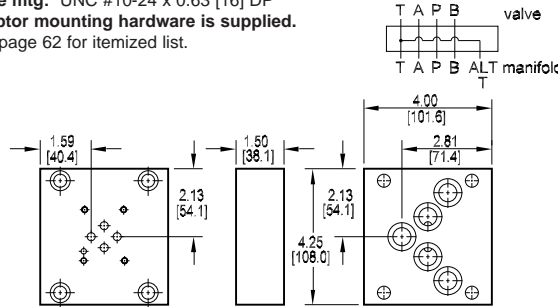




Valve Adaptors for D06 Manifolds

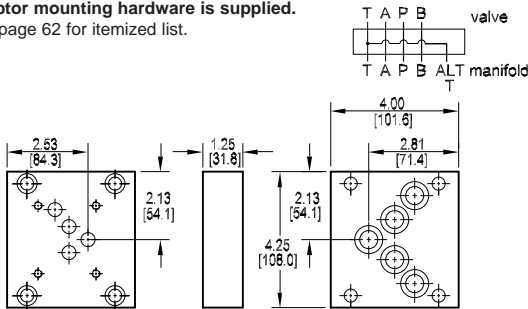
Adapt D03 valve to D06 manifold

Valve mtg: UNC #10-24 x 0.63 [16] DP
Adaptor mounting hardware is supplied.
 See page 62 for itemized list.



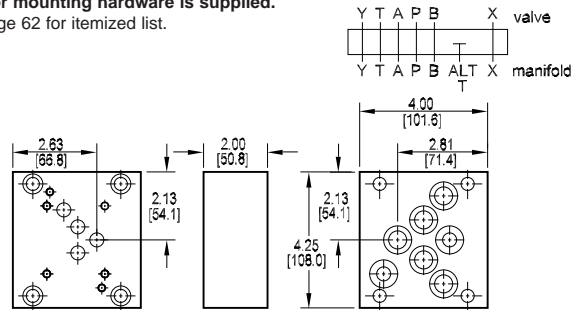
3 Adapt D05 valve to D06 manifold

Valve mtg: UNC 0.25-20 x 0.56 [14.2] DP
Adaptor mounting hardware is supplied.
 See page 62 for itemized list.



Adapt D05H valve to D06H manifold

Valve mtg: UNC 0.25-20 x 0.50 [12.7] DP
Adaptor mounting hardware is supplied.
 See page 62 for itemized list.



Specifications, descriptions, and dimensional data are subject to correction or change without notice or incurring obligation.

Ordering Information

