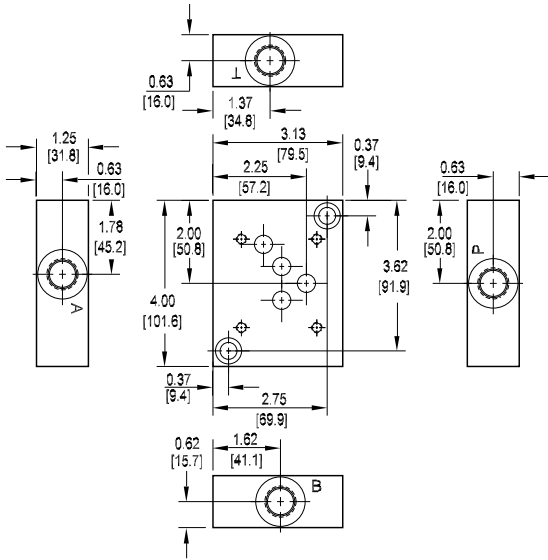




D05 Subplates

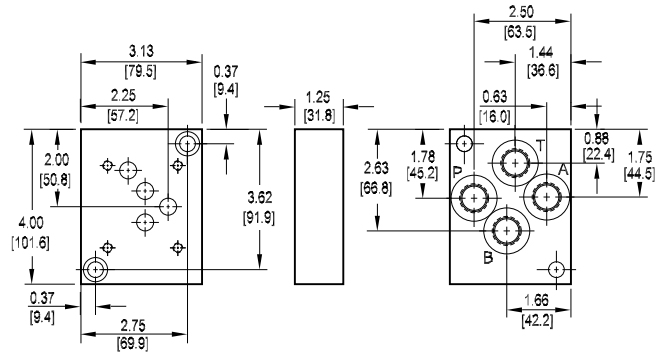
Side Ported Subplate

Valve mtg: UNC 0.25-20 x 0.75 DP or
Metric M6-1.0mm ISO 6H x [19.1] DP
Subplate mounting hardware is supplied.
See page 82 for itemized list.



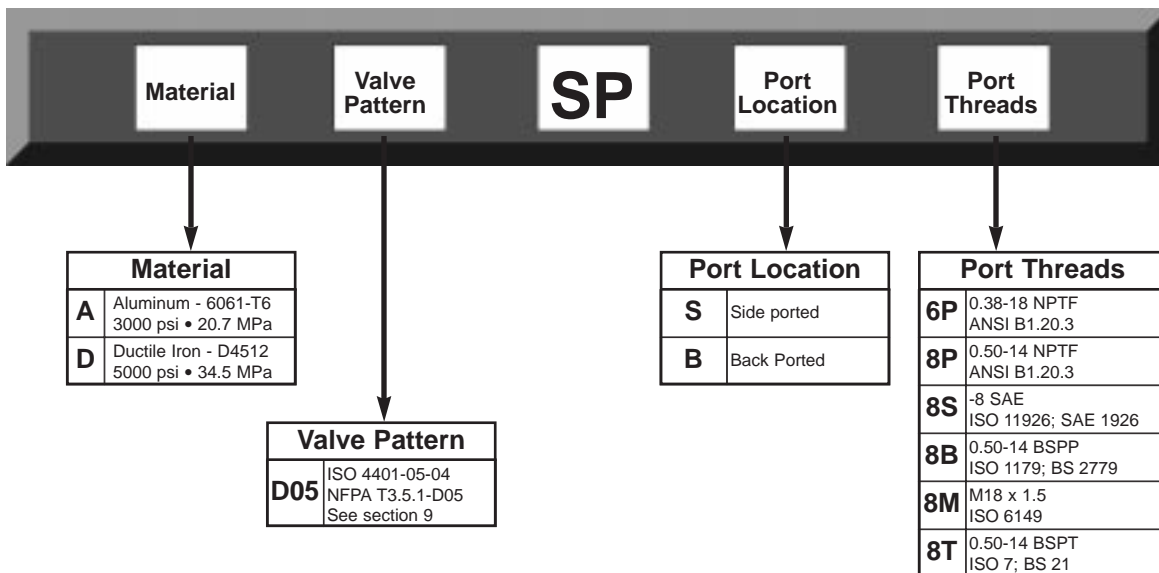
Back Ported Subplate

Valve mtg: UNC 0.25-20 x 0.75 DP or
Metric M6-1.0mm ISO 6H x [19.1] DP
Subplate mounting hardware is supplied.
See page 82 for itemized list.



Specifications, descriptions, and dimensional data are subject to correction or change without notice or incurring obligation.

Ordering Information





D05 Subplates

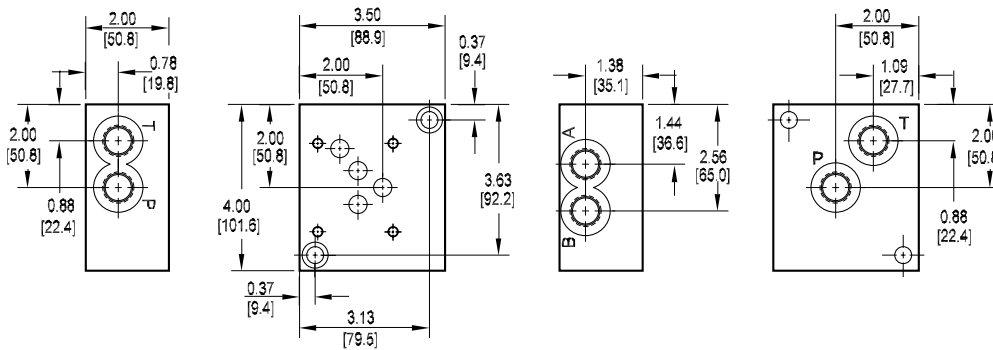
Dual Ported Subplate

Valve mtg: UNC 0.25-20 x 0.56 DP or
Metric M6-1.0mm ISO 6H x [14.2] DP

Subplate mounting hardware is supplied.*

See page 82 for itemized list.

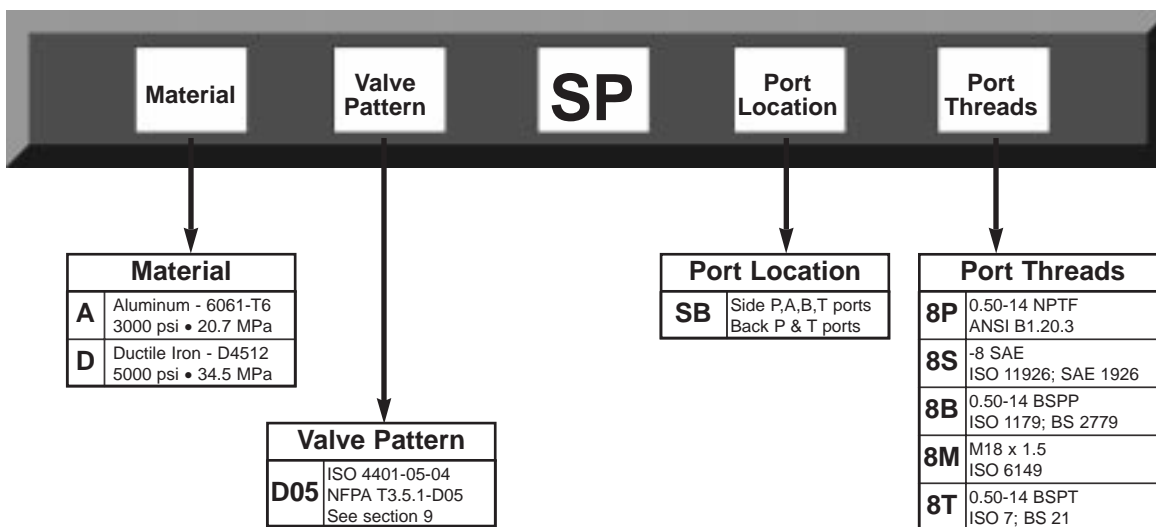
* Plugs not supplied with metric ported parts.



Specifications, descriptions, and dimensional data are subject to correction or change without notice or incurring obligation.

4

Ordering Information

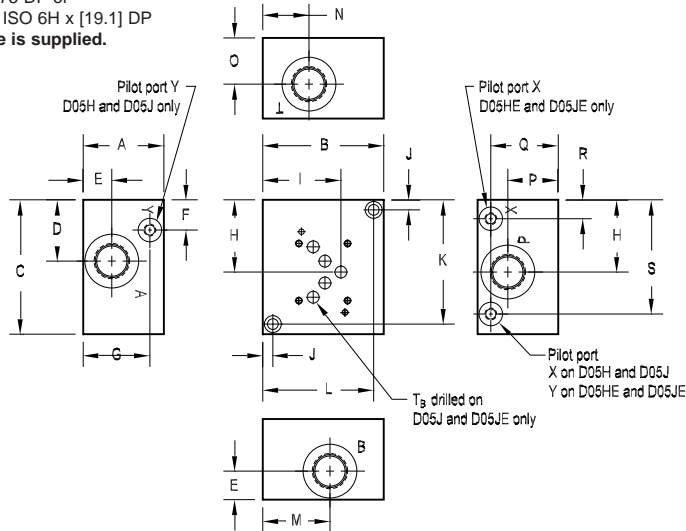




D05 High Flow Subplates with Pilot Ports

Side Ported Subplate

Valve mtg: UNC 0.25-20 x 0.75 DP or
Metric M6-1.0mm ISO 6H x [19.1] DP
Subplate mounting hardware is supplied.
See page 82 for itemized list.



Dimension	A	B	C	D	E	F	G	H	I	J	K	L	M	N	O	P	Q	R	S	
D05HSPS12	1.75 [44.5]	3.75 [95.3]	4.75 [120.7]	2.13 [54.1]	0.88 [22.4]	0.81 [20.6]	0.88 [22.4]	2.37 [60.2]	2.53 [64.3]	0.38 [9.5]	4.37 [111.0]	3.38 [85.9]	1.88 [47.8]	1.88 [47.8]	0.88 [22.4]	0.88 [22.4]	0.88 [22.4]	0.44 [11.2]	1.00 [25.4]	3.94 [100.1]
D05HESPS12	1.75 [44.5]	3.75 [95.3]	4.75 [120.7]	2.13 [54.1]	0.88 [22.4]	--	--	2.37 [60.2]	2.53 [64.3]	0.38 [9.5]	4.37 [111.0]	3.38 [85.9]	1.88 [47.8]	1.88 [47.8]	0.88 [22.4]	0.88 [22.4]	0.44 [11.2]	1.00 [25.4]	3.94 [100.1]	
D05JSPS16	3.00 [76.2]	4.50 [114.3]	5.00 [127.0]	2.28 [57.9]	1.06 [27.0]	1.25 [31.8]	2.50 [63.5]	2.69 [68.3]	2.91 [73.8]	0.38 [9.5]	4.63 [117.5]	4.13 [104.8]	2.50 [63.5]	1.72 [43.7]	1.72 [43.7]	1.88 [47.6]	2.50 [63.5]	--	4.19 [106.4]	
D05JESPS16	3.00 [76.2]	4.50 [114.3]	5.00 [127.0]	2.28 [57.9]	1.06 [27.0]	--	--	2.69 [68.3]	2.91 [73.8]	0.38 [9.5]	4.63 [117.5]	4.13 [104.8]	2.50 [63.5]	1.72 [43.7]	1.72 [43.7]	1.88 [47.6]	2.25 [57.2]	1.13 [28.6]	4.25 [108.0]	

Specifications, descriptions, and dimensional data are subject to correction or change without notice or incurring obligation.

Ordering Information



Material	
A	Aluminum - 6061-T6 3000 psi • 20.7 MPa
D	Ductile Iron - D4512 5000 psi • 34.5 MPa

Valve Pattern	
See section 9	
D05H	(USA std.) NFPA T3.5.1-D05 Alt B High flow
D05HE	ISO 4401-05-05 NFPA T3.5.1-D05 Alt A High flow
D05J	(USA std.) NFPA T3.5.1-D05 Alt B Extra high flow
D05JE	ISO 4401-05-05 NFPA T3.5.1-D05 Alt A Extra high flow

Port Location	
S	Side ported

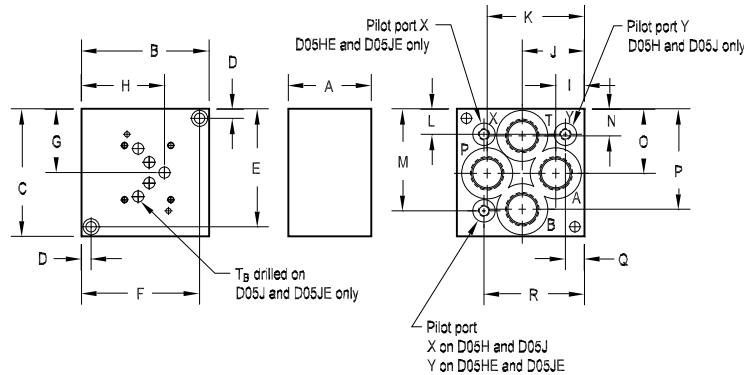
P, T, A, B Port Threads			X & Y port size (reference)
D05H or D05HE only	D05J or D05JE only		
12P 0.75-14 NPTF ANSI B1.20.3	16P 1.00-11.5 NPTF ANSI B1.20.3		0.25-18 NPTF ANSI B1.20.3
12S -12 SAE ISO 11926; SAE 1926	16S -16 SAE ISO 11926; SAE 1926		-4 SAE ISO 11926; SAE 1926
12B 0.75-14 BSPP ISO 1179; BS 2779	16B 1.00-11 BSPP ISO 1179; BS 2779		0.25-19 BSPP ISO 1179; BS 2779
12M M27 x 2.0 ISO 6149	16M M33 x 2.0 ISO 6149		M10 x 1.0 ISO 6149
12T 0.75-14 BSPT ISO 7; BS 21	16T 1.00-11 BSPT ISO 7; BS 21		0.25-19 BSPT ISO 7; BS 21



D05 High Flow Subplates with Pilot Ports

Back Ported Subplate

Valve mtg: UNC 0.25-20 x 0.75 DP or
Metric M6-1.0mm ISO 6H x [19.1] DP
Subplate mounting hardware is supplied.
See page 82 for itemized list.



Dimension	A	B	C	D	E	F	G	H	I	J	K	L	M	N	O	P	Q	R
D05HSPB12	1.75 [44.5]	4.50 [114.3]	4.75 [120.7]	0.38 [9.5]	4.38 [111.3]	4.13 [104.9]	2.37 [60.2]	2.91 [73.9]	1.12 [28.4]	2.22 [56.4]	3.31 [84.1]	0.88 [22.2]	3.88 [98.4]	1.13 [28.7]	2.38 [60.5]	3.56 [90.4]	0.59 [15.1]	3.56 [90.5]
D05HESPB12	1.75 [44.5]	4.50 [114.3]	4.75 [120.7]	0.38 [9.5]	4.38 [111.3]	4.13 [104.9]	2.37 [60.2]	2.91 [73.9]	1.12 [28.4]	2.22 [56.4]	3.31 [84.1]	0.81 [20.6]	3.94 [100.1]	1.13 [28.7]	2.38 [60.5]	3.56 [90.4]	--	3.50 [88.9]
D05JSPB16	3.25 [82.6]	5.00 [127.0]	5.00 [127.0]	0.38 [9.5]	4.63 [117.5]	4.63 [117.5]	2.50 [63.5]	3.25 [82.6]	1.13 [28.6]	2.44 [61.9]	3.81 [96.8]	1.00 [25.4]	4.00 [101.6]	1.06 [27.0]	2.53 [64.3]	3.94 [100.1]	0.75 [19.1]	3.94 [100.1]
D05JESPB16	3.25 [82.6]	5.00 [127.0]	5.00 [127.0]	0.38 [9.5]	4.63 [117.5]	4.63 [117.5]	2.50 [63.5]	3.25 [82.6]	1.13 [28.6]	2.44 [61.9]	3.81 [96.8]	1.00 [25.4]	4.00 [101.6]	1.06 [27.0]	2.53 [64.3]	3.94 [100.1]	--	3.94 [100.1]

Specifications, descriptions, and dimensional data are subject to correction or change without notice or incurring obligation.

Ordering Information

Material	Valve Pattern	SP	Port Location	Port Threads																																																														
<table border="1"> <thead> <tr> <th colspan="2">Material</th> </tr> </thead> <tbody> <tr> <td>A</td> <td>Aluminum - 6061-T6 3000 psi • 20.7 MPa</td> </tr> <tr> <td>D</td> <td>Ductile Iron - D4512 5000 psi • 34.5 MPa</td> </tr> </tbody> </table>	Material		A	Aluminum - 6061-T6 3000 psi • 20.7 MPa	D	Ductile Iron - D4512 5000 psi • 34.5 MPa	<table border="1"> <thead> <tr> <th colspan="2">Valve Pattern</th> </tr> <tr> <td colspan="2">See section 9</td> </tr> </thead> <tbody> <tr> <td>D05H</td> <td>(USA std.) NFPA T3.5.1-D05 Alt B High flow</td> </tr> <tr> <td>D05HE</td> <td>ISO 4401-05-05 NFPA T3.5.1-D05 Alt A High flow</td> </tr> <tr> <td>D05J</td> <td>(USA std.) NFPA T3.5.1-D05 Alt B Extra high flow</td> </tr> <tr> <td>D05JE</td> <td>ISO 4401-05-05 NFPA T3.5.1-D05 Alt A Extra high flow</td> </tr> </tbody> </table>	Valve Pattern		See section 9		D05H	(USA std.) NFPA T3.5.1-D05 Alt B High flow	D05HE	ISO 4401-05-05 NFPA T3.5.1-D05 Alt A High flow	D05J	(USA std.) NFPA T3.5.1-D05 Alt B Extra high flow	D05JE	ISO 4401-05-05 NFPA T3.5.1-D05 Alt A Extra high flow	<table border="1"> <thead> <tr> <th colspan="2">Port Location</th> </tr> </thead> <tbody> <tr> <td>B</td> <td>Back ported</td> </tr> </tbody> </table>	Port Location		B	Back ported	<table border="1"> <thead> <tr> <th colspan="4">P, T, A, B Port Threads</th> </tr> <tr> <th colspan="2">D05H or D05HE only</th> <th colspan="2">D05J or D05JE only</th> </tr> </thead> <tbody> <tr> <td>12P</td> <td>0.75-14 NPTF ANSI B1.20.3</td> <td>16P</td> <td>1.00-11.5 NPTF ANSI B1.20.3</td> </tr> <tr> <td>12S</td> <td>-12 SAE ISO 11926; SAE 1926</td> <td>16S</td> <td>-16 SAE ISO 11926; SAE 1926</td> </tr> <tr> <td>12B</td> <td>0.75-14 BSPP ISO 1179; BS 2779</td> <td>16B</td> <td>1.00-11 BSPP ISO 1179; BS 2779</td> </tr> <tr> <td>12M</td> <td>M27 x 2.0 ISO 6149</td> <td>16M</td> <td>M33 x 2.0 ISO 6149</td> </tr> <tr> <td>12T</td> <td>0.75-14 BSPT ISO 7; BS 21</td> <td>16T</td> <td>1.00-11 BSPT ISO 7; BS 21</td> </tr> </tbody> </table>	P, T, A, B Port Threads				D05H or D05HE only		D05J or D05JE only		12P	0.75-14 NPTF ANSI B1.20.3	16P	1.00-11.5 NPTF ANSI B1.20.3	12S	-12 SAE ISO 11926; SAE 1926	16S	-16 SAE ISO 11926; SAE 1926	12B	0.75-14 BSPP ISO 1179; BS 2779	16B	1.00-11 BSPP ISO 1179; BS 2779	12M	M27 x 2.0 ISO 6149	16M	M33 x 2.0 ISO 6149	12T	0.75-14 BSPT ISO 7; BS 21	16T	1.00-11 BSPT ISO 7; BS 21	<table border="1"> <thead> <tr> <th colspan="2">X & Y port size (reference)</th> </tr> </thead> <tbody> <tr> <td>0.25-18 NPTF ANSI B1.20.3</td> <td>0.25-18 NPTF ANSI B1.20.3</td> </tr> <tr> <td>-4 SAE ISO 11926; SAE 1926</td> <td>-4 SAE ISO 11926; SAE 1926</td> </tr> <tr> <td>0.25-19 BSPP ISO 1179; BS 2779</td> <td>0.25-19 BSPP ISO 1179; BS 2779</td> </tr> <tr> <td>M10 x 1.0 ISO 6149</td> <td>M10 x 1.0 ISO 6149</td> </tr> <tr> <td>0.25-19 BSPT ISO 7; BS 21</td> <td>0.25-19 BSPT ISO 7; BS 21</td> </tr> </tbody> </table>	X & Y port size (reference)		0.25-18 NPTF ANSI B1.20.3	0.25-18 NPTF ANSI B1.20.3	-4 SAE ISO 11926; SAE 1926	-4 SAE ISO 11926; SAE 1926	0.25-19 BSPP ISO 1179; BS 2779	0.25-19 BSPP ISO 1179; BS 2779	M10 x 1.0 ISO 6149	M10 x 1.0 ISO 6149	0.25-19 BSPT ISO 7; BS 21	0.25-19 BSPT ISO 7; BS 21
Material																																																																		
A	Aluminum - 6061-T6 3000 psi • 20.7 MPa																																																																	
D	Ductile Iron - D4512 5000 psi • 34.5 MPa																																																																	
Valve Pattern																																																																		
See section 9																																																																		
D05H	(USA std.) NFPA T3.5.1-D05 Alt B High flow																																																																	
D05HE	ISO 4401-05-05 NFPA T3.5.1-D05 Alt A High flow																																																																	
D05J	(USA std.) NFPA T3.5.1-D05 Alt B Extra high flow																																																																	
D05JE	ISO 4401-05-05 NFPA T3.5.1-D05 Alt A Extra high flow																																																																	
Port Location																																																																		
B	Back ported																																																																	
P, T, A, B Port Threads																																																																		
D05H or D05HE only		D05J or D05JE only																																																																
12P	0.75-14 NPTF ANSI B1.20.3	16P	1.00-11.5 NPTF ANSI B1.20.3																																																															
12S	-12 SAE ISO 11926; SAE 1926	16S	-16 SAE ISO 11926; SAE 1926																																																															
12B	0.75-14 BSPP ISO 1179; BS 2779	16B	1.00-11 BSPP ISO 1179; BS 2779																																																															
12M	M27 x 2.0 ISO 6149	16M	M33 x 2.0 ISO 6149																																																															
12T	0.75-14 BSPT ISO 7; BS 21	16T	1.00-11 BSPT ISO 7; BS 21																																																															
X & Y port size (reference)																																																																		
0.25-18 NPTF ANSI B1.20.3	0.25-18 NPTF ANSI B1.20.3																																																																	
-4 SAE ISO 11926; SAE 1926	-4 SAE ISO 11926; SAE 1926																																																																	
0.25-19 BSPP ISO 1179; BS 2779	0.25-19 BSPP ISO 1179; BS 2779																																																																	
M10 x 1.0 ISO 6149	M10 x 1.0 ISO 6149																																																																	
0.25-19 BSPT ISO 7; BS 21	0.25-19 BSPT ISO 7; BS 21																																																																	



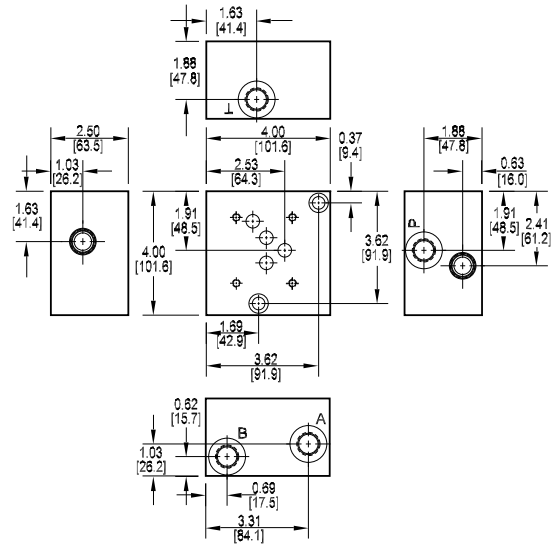
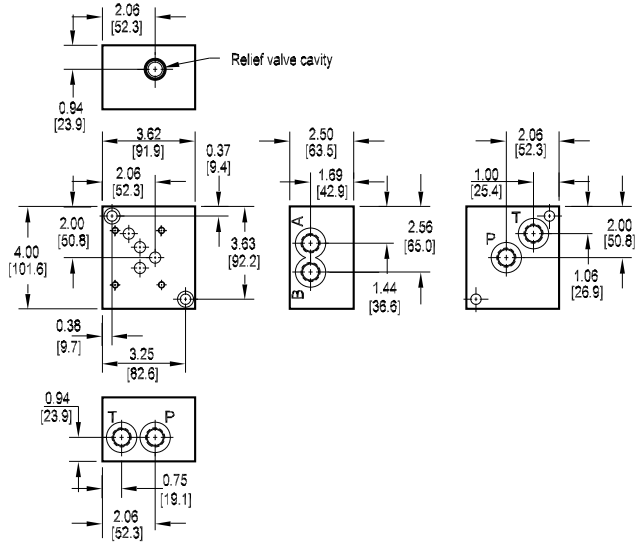
D05 Subplates with Relief Cavity

Dual Ported Subplate with Main Relief Cavity

Valve mtg: UNC 0.25-20 x 0.75 DP or
Metric M6-1.0mm ISO 6H x [19.1] DP
Subplate mounting hardware is supplied.*
See page 82 for itemized list.
* Plugs not supplied with metric ported parts.

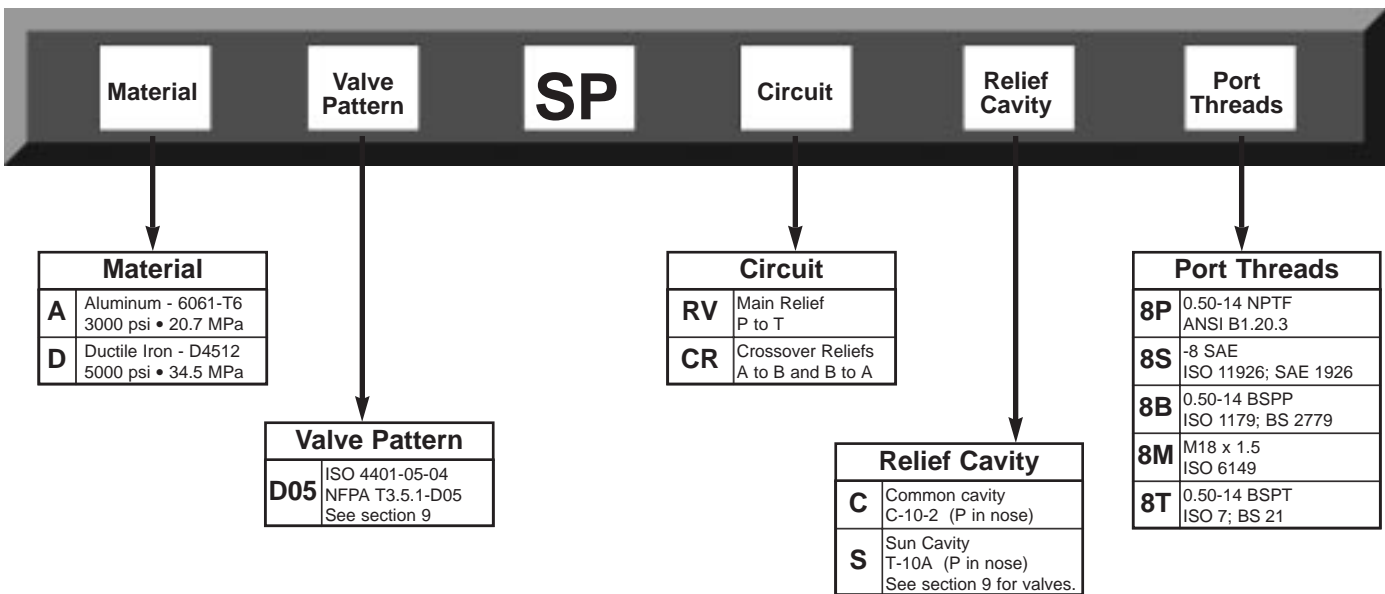
Side Ported Subplate with Cylinder Port Crossover Relief Cavities

Valve mtg: UNC 0.25-20 x 0.75 DP or
Metric M6-1.0mm ISO 6H x [19.1] DP
Subplate mounting hardware is supplied.
See page 83 for itemized list.



Specifications, descriptions, and dimensional data are subject to correction or change without notice or incurring obligation.

Ordering Information

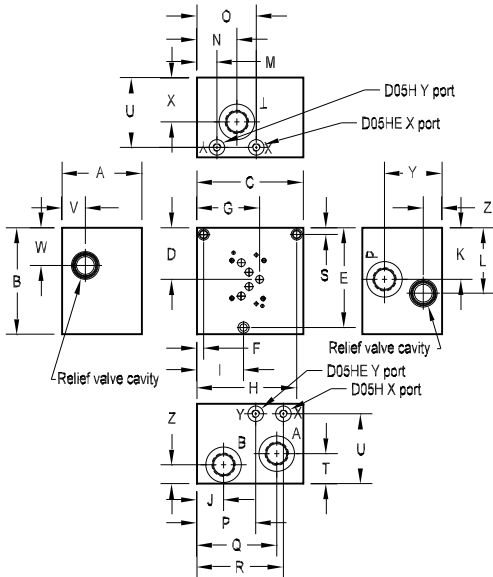




D05 High Flow Subplates with Pilot Ports and Relief Cavity

Side Ported Subplate with Cylinder Port Crossover Relief Cavities

Valve mtg: UNC 0.25-20 x 0.75 DP or Metric M6-1.0mm ISO 6H x [19.1] DP
Subplate mounting hardware is supplied.
 See page 83 for itemized list.



Dimension	A	B	C	D	E	F	G	H	I
*D05HSPCR*12*	4.50 [114.3]	5.00 [127.0]	5.00 [127.0]	2.03 [51.6]	4.63 [117.5]	--	3.03 [77.0]	4.63 [117.5]	2.13 [54.0]
D05JSPCRC16	4.50 [114.3]	5.00 [127.0]	5.00 [127.0]	2.41 [61.1]	4.63 [117.5]	--	3.03 [77.0]	4.63 [117.5]	2.13 [54.0]
D05JSPCRS16	4.50 [114.3]	6.00 [152.4]	6.00 [152.4]	2.91 [73.8]	5.63 [142.9]	0.38 [9.7]	3.53 [89.7]	5.63 [142.9]	2.63 [66.7]

Dimension	J	K	L	M	N	O	P	Q	R
*D05HSPCR*12*	1.00 [25.4]	2.41 [61.1]	3.00 [76.2]	0.63 [15.9]	2.00 [50.8]	2.85 [72.3]	2.81 [71.4]	4.00 [101.6]	4.38 [111.1]
D05JSPCRC16	1.00 [25.4]	2.41 [61.1]	3.00 [76.2]	0.63 [15.9]	1.75 [44.5]	2.85 [72.3]	2.81 [71.4]	4.00 [101.6]	4.38 [111.1]
D05JSPCRS16	1.50 [38.1]	2.91 [73.8]	3.69 [93.7]	1.13 [28.6]	2.25 [57.2]	3.35 [85.0]	3.31 [84.1]	4.50 [114.3]	4.88 [124.0]

Dimension	S	T	U	V	W	X	Y	Z
*D05HSPCR*12*	0.38 [9.5]	1.69 [42.9]	3.94 [100.0]	1.31 [33.3]	1.75 [44.5]	2.50 [63.5]	3.25 [82.6]	1.06 [27.0]
D05JSPCRC16	0.38 [9.5]	1.69 [42.9]	3.94 [100.0]	1.31 [33.3]	1.75 [44.5]	2.50 [63.5]	3.25 [82.6]	1.06 [27.0]
D05JSPCRS16	0.38 [9.5]	1.69 [42.9]	3.94 [100.0]	1.31 [33.3]	2.13 [54.0]	2.50 [63.5]	3.25 [82.6]	1.06 [27.0]

Specifications, descriptions, and dimensional data are subject to correction or change without notice or incurring obligation.

Ordering Information

