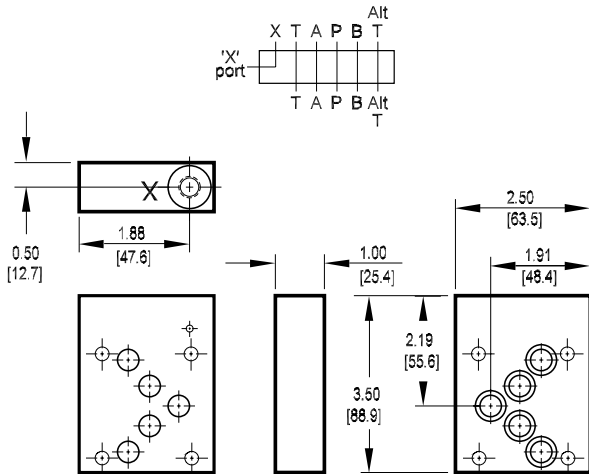




D05 Servo Valve Tapping Plate

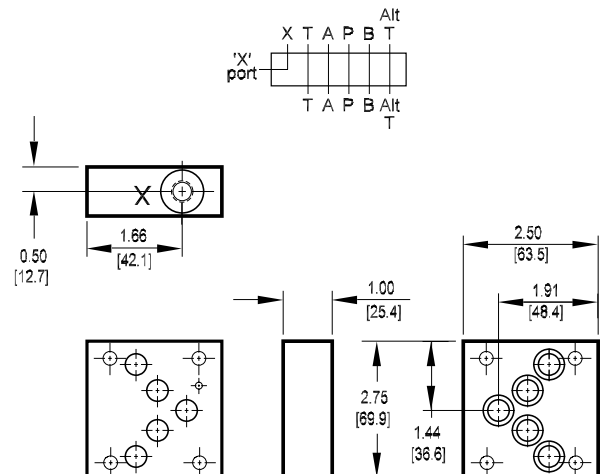
D05 Pilot Port Tapping Plate for Moog 631

Subplate interface seal kit is supplied.
See page 102 for itemized list.



D05 Pilot Port Tapping Plate for Rexroth 4WS2

Subplate interface seal kit is supplied.
See page 102 for itemized list.



Note: These tapping plates are designed to be used with standard D05 manifolds or subplates. They provide an external pilot port for the servo valves referenced. If the servo valve uses an internal pilot, these tapping plates are not needed. The servo valve may be mounted directly to our D05 manifold or subplate.

Specifications, descriptions, and dimensional data are subject to correction or change without notice or incurring obligation.

5

Ordering Information

