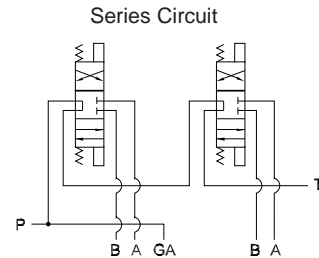
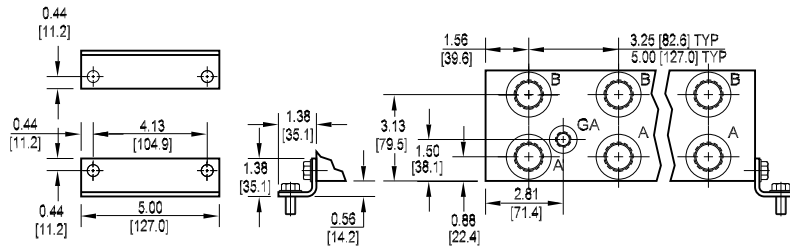
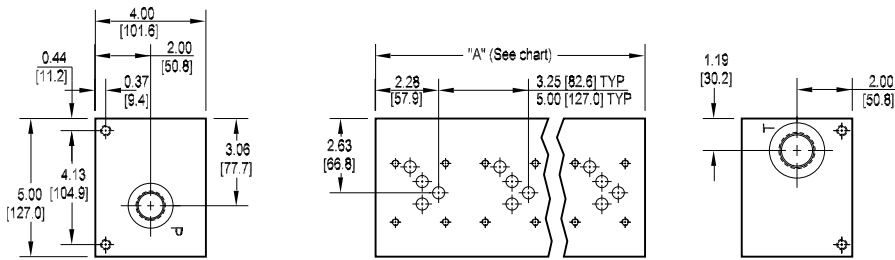




D05 High Flow Series Circuit Manifold



No. of stations	02	03	04
"A" length (code 3 spa.) inch [mm]	6.50 [165.1]	9.75 [247.7]	13.00 [330.2]
apx. weight alum lb [kg]	12 [5]	17 [8]	22 [10]
apx. weight iron lb [kg]	38 [17]	57 [26]	75 [34]
"A" length (code 5 spa.) inch [mm]	8.25 [209.6]	13.25 [336.6]	18.25 [463.6]
apx. weight alum lb [kg]	18 [8]	26 [12]	33 [15]
apx. weight iron lb [kg]	48 [22]	77 [35]	106 [48]

All mounting hardware is supplied.
See page 35 for itemized list.

Port code	Valve mtg.	Manifold mtg.
P, S	0.25-20 UNC x 0.75 [19] DP	0.38-16 UNC x 0.75 [19] DP
B, M, T	M6 ISO 6H x 0.75 [19] DP	M10 ISO 6H x 0.75 [19] DP

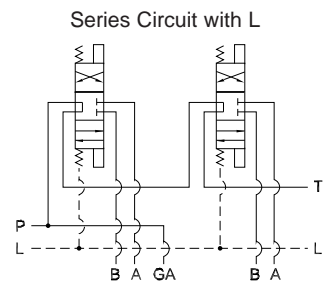
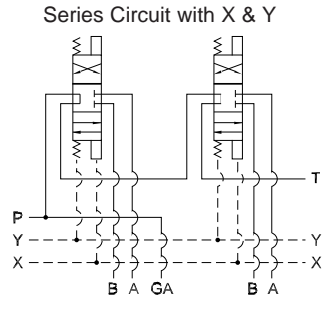
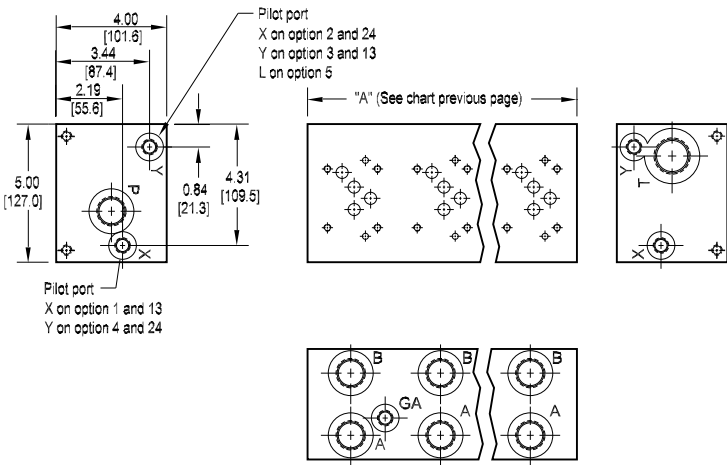
Specifications, descriptions, and dimensional data are subject to correction or change without notice or incurring obligation.

Ordering Information

Material	Valve Pattern	Circuit	No. of Stations	Valve Spacing	Port Threads	Options																																																																										
<table border="1"> <thead> <tr> <th colspan="2">Material</th> </tr> </thead> <tbody> <tr> <td>A</td> <td>Aluminum - 6061-T6 3000 psi • 20.7 MPa</td> </tr> <tr> <td>D</td> <td>Ductile Iron - D4512 5000 psi • 34.5 MPa</td> </tr> </tbody> </table>	Material		A	Aluminum - 6061-T6 3000 psi • 20.7 MPa	D	Ductile Iron - D4512 5000 psi • 34.5 MPa	<table border="1"> <thead> <tr> <th colspan="2">Valve Pattern</th> </tr> </thead> <tbody> <tr> <td>D05</td> <td>ISO 4401-05-04 NFFPA T3.5.1-D05 See section 9</td> </tr> </tbody> </table>	Valve Pattern		D05	ISO 4401-05-04 NFFPA T3.5.1-D05 See section 9	<table border="1"> <thead> <tr> <th colspan="2">Circuit</th> </tr> </thead> <tbody> <tr> <td>HS</td> <td>Series Circuit High Flow</td> </tr> </tbody> </table>	Circuit		HS	Series Circuit High Flow	<table border="1"> <thead> <tr> <th colspan="2">No. of Stations</th> </tr> </thead> <tbody> <tr> <td colspan="2">Aluminum</td> </tr> <tr> <td>02...04</td> <td>Available with spacing code 3</td> </tr> <tr> <td>02...04</td> <td>Available with spacing code 5</td> </tr> <tr> <td colspan="2">Ductile Iron</td> </tr> <tr> <td>02...04</td> <td>Available with spacing code 3</td> </tr> <tr> <td>02...04</td> <td>Available with spacing code 5</td> </tr> </tbody> </table>	No. of Stations		Aluminum		02...04	Available with spacing code 3	02...04	Available with spacing code 5	Ductile Iron		02...04	Available with spacing code 3	02...04	Available with spacing code 5	<table border="1"> <thead> <tr> <th colspan="2">Valve Spacing</th> </tr> </thead> <tbody> <tr> <td>3</td> <td>3.25 inch 82.6 mm</td> </tr> <tr> <td>5</td> <td>5.00 inch 127.0 mm</td> </tr> </tbody> </table>	Valve Spacing		3	3.25 inch 82.6 mm	5	5.00 inch 127.0 mm	<table border="1"> <thead> <tr> <th colspan="6">Port Threads</th> </tr> </thead> <tbody> <tr> <td>P</td> <td>NPTF • ANSI B1.20.3</td> <td>0.75</td> <td>1.00</td> <td>0.38</td> <td>0.25</td> </tr> <tr> <td>S</td> <td>SAE • ISO 11926</td> <td>-12</td> <td>-16</td> <td>-6</td> <td>-6</td> </tr> <tr> <td>B</td> <td>BSPP • ISO 1179</td> <td>0.75</td> <td>1.00</td> <td>0.38</td> <td>none</td> </tr> <tr> <td>M</td> <td>ISO • ISO 6149</td> <td>M27</td> <td>M33</td> <td>M14</td> <td>none</td> </tr> <tr> <td>T</td> <td>BSPT • ISO 7</td> <td>0.75</td> <td>1.00</td> <td>0.38</td> <td>none</td> </tr> </tbody> </table>	Port Threads						P	NPTF • ANSI B1.20.3	0.75	1.00	0.38	0.25	S	SAE • ISO 11926	-12	-16	-6	-6	B	BSPP • ISO 1179	0.75	1.00	0.38	none	M	ISO • ISO 6149	M27	M33	M14	none	T	BSPT • ISO 7	0.75	1.00	0.38	none	<table border="1"> <thead> <tr> <th colspan="2">Options</th> </tr> </thead> <tbody> <tr> <td colspan="2">See next page for available options and ordering codes.</td> </tr> </tbody> </table>	Options		See next page for available options and ordering codes.	
Material																																																																																
A	Aluminum - 6061-T6 3000 psi • 20.7 MPa																																																																															
D	Ductile Iron - D4512 5000 psi • 34.5 MPa																																																																															
Valve Pattern																																																																																
D05	ISO 4401-05-04 NFFPA T3.5.1-D05 See section 9																																																																															
Circuit																																																																																
HS	Series Circuit High Flow																																																																															
No. of Stations																																																																																
Aluminum																																																																																
02...04	Available with spacing code 3																																																																															
02...04	Available with spacing code 5																																																																															
Ductile Iron																																																																																
02...04	Available with spacing code 3																																																																															
02...04	Available with spacing code 5																																																																															
Valve Spacing																																																																																
3	3.25 inch 82.6 mm																																																																															
5	5.00 inch 127.0 mm																																																																															
Port Threads																																																																																
P	NPTF • ANSI B1.20.3	0.75	1.00	0.38	0.25																																																																											
S	SAE • ISO 11926	-12	-16	-6	-6																																																																											
B	BSPP • ISO 1179	0.75	1.00	0.38	none																																																																											
M	ISO • ISO 6149	M27	M33	M14	none																																																																											
T	BSPT • ISO 7	0.75	1.00	0.38	none																																																																											
Options																																																																																
See next page for available options and ordering codes.																																																																																



Options - D05 High Flow Series Manifold



1

Ordering Information



Pilot Ports	
Omit if pilot ports not required	
1	X port (USA std) NFPA T3.5.1-D05 Alt-B
3	Y port (USA std) NFPA T3.5.1-D05 Alt-B
13	X & Y ports (USA std) NFPA T3.5.1-D05 Alt-B
2	X port ISO 4401-05-05 NFPA T3.5.1-D05 Alt-A
4	Y port ISO 4401-05-05 NFPA T3.5.1-D05 Alt-A
24	X & Y ports ISO 4401-05-05 NFPA T3.5.1-D05 Alt-A
5	L ports Proportional valves