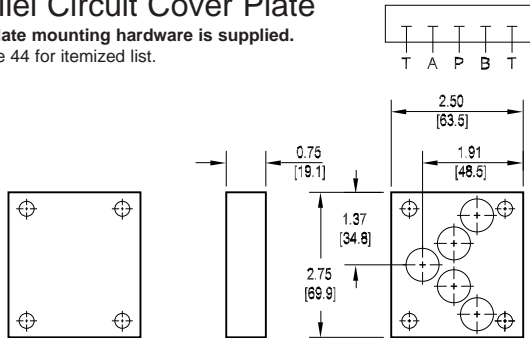




## D05 Cover Plates

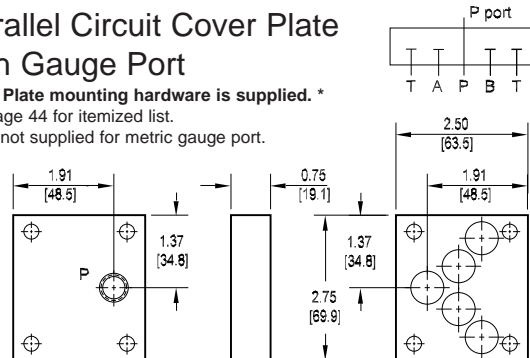
### Parallel Circuit Cover Plate

Cover Plate mounting hardware is supplied.  
See page 44 for itemized list.



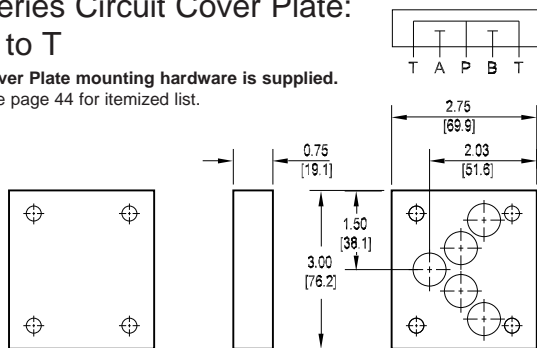
### Parallel Circuit Cover Plate with Gauge Port

Cover Plate mounting hardware is supplied.\*  
See page 44 for itemized list.  
\* Plug not supplied for metric gauge port.



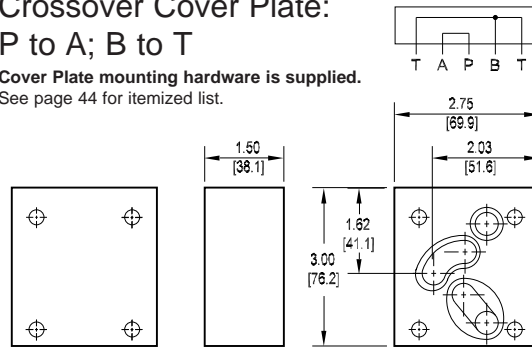
### Series Circuit Cover Plate: P to T

Cover Plate mounting hardware is supplied.  
See page 44 for itemized list.



### Crossover Cover Plate: P to A; B to T

Cover Plate mounting hardware is supplied.  
See page 44 for itemized list.



Specifications, descriptions, and dimensional data are subject to correction or change without notice or incurring obligation.

## Ordering Information

