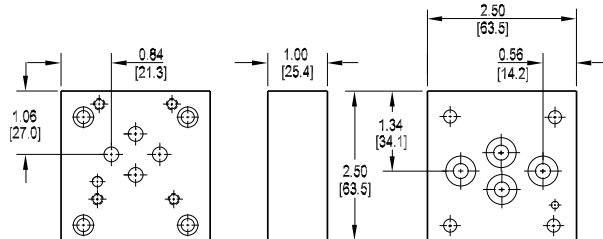
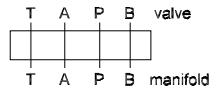




D03 to “Obsolete Valve” Adaptors

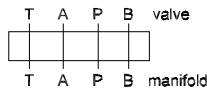
Adapt D03 valve to Racine 01Q manifold

Valve mtg: UNC #10-24 x 0.63 [16] DP
 Adaptor mounting hardware is supplied.
 See page 63 for itemized list.

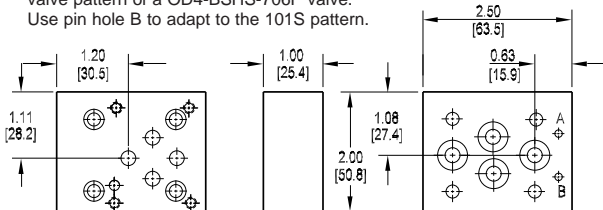


3 Adapt D03 valve to Racine 01S manifold

Valve mtg: UNC #10-24 x 0.75 [19.1] DP
 Adaptor mounting hardware is supplied.
 See page 63 for itemized list.

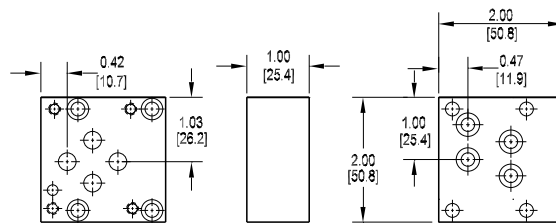
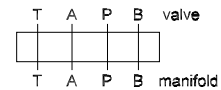


Note: Use pin hole A to adapt to the pilot valve pattern of a OD4-BSHS-706P valve.
 Use pin hole B to adapt to the 101S pattern.



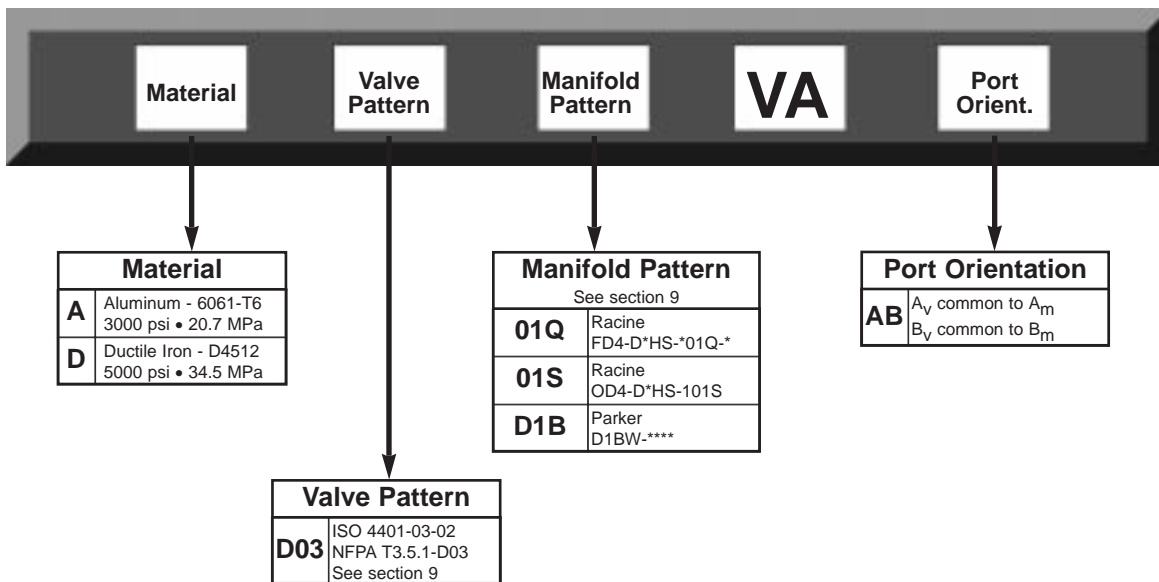
Adapt D03 valve to Parker D1B manifold

Valve mtg: UNC #10-24 x 0.63 [16] DP
 Adaptor mounting hardware is supplied.
 See page 63 for itemized list.



Specifications, descriptions, and dimensional data are subject to correction or change without notice or incurring obligation.

Ordering Information

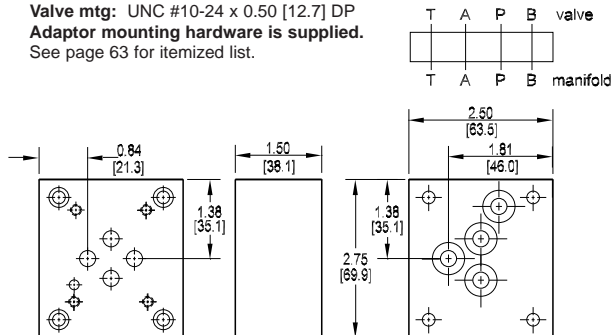




D03 to “Obsolete Valve” Adaptors

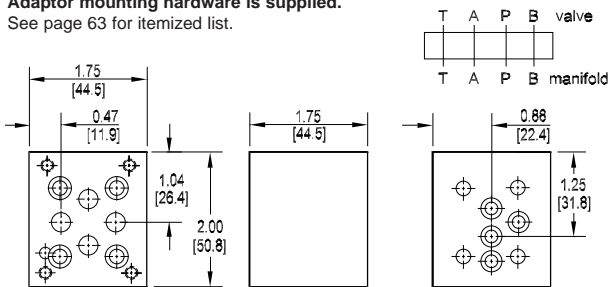
Adapt D03 valve to Denison D1D04 manifold

Valve mtg: UNC #10-24 x 0.50 [12.7] DP
 Adaptor mounting hardware is supplied.
 See page 63 for itemized list.



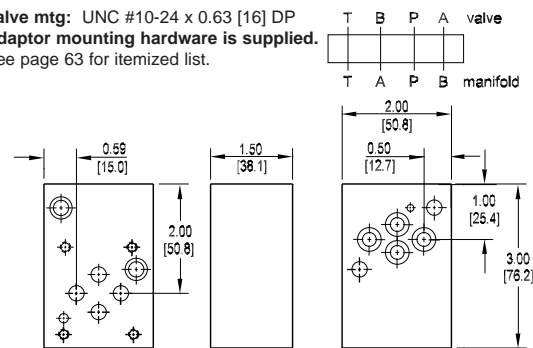
Adapt D03 valve to Vickers D1L manifold

Valve mtg: UNC #10-24 x 0.63 [16] DP
 Adaptor mounting hardware is supplied.
 See page 63 for itemized list.



Adapt D03 valve to Vickers DG4M4 manifold

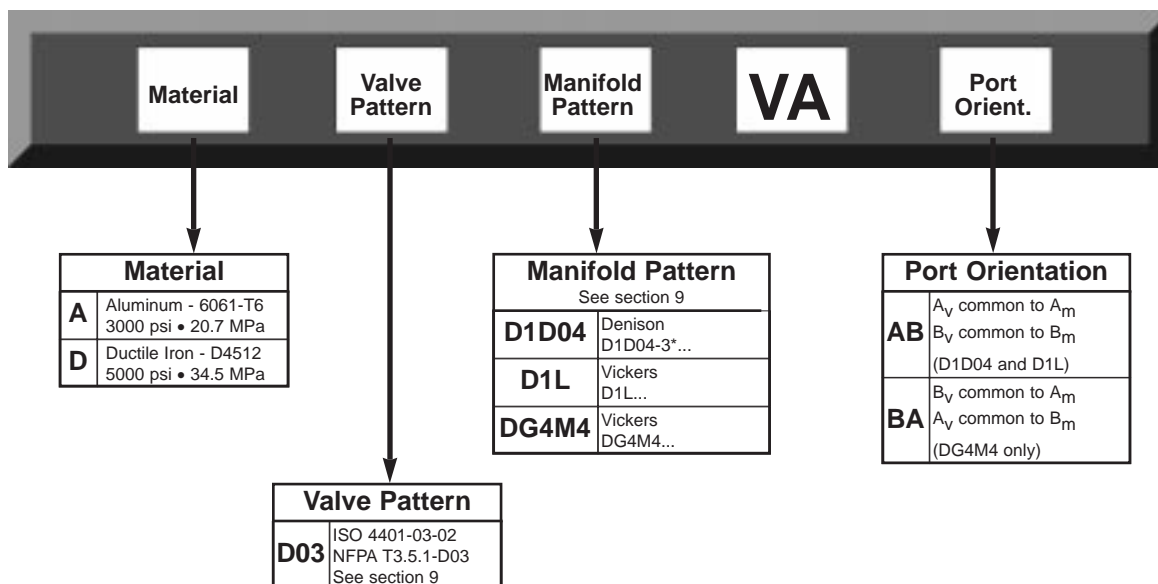
Valve mtg: UNC #10-24 x 0.63 [16] DP
 Adaptor mounting hardware is supplied.
 See page 63 for itemized list.



Specifications, descriptions, and dimensional data are subject to correction or change without notice or incurring obligation.

3

Ordering Information

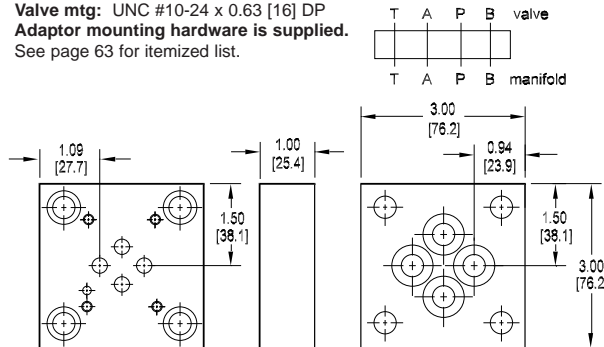




D03 to “Obsolete Valve” Adaptors

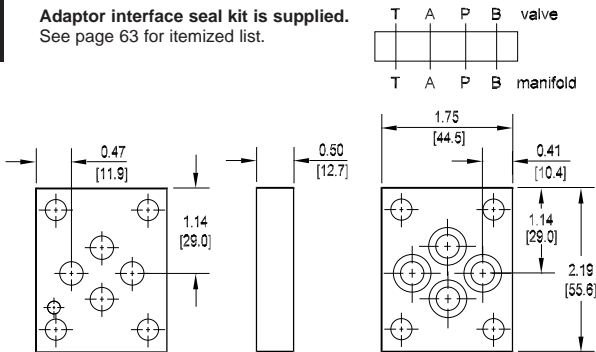
Adapt D03 valve to Republic R8143 manifold

Valve mtg: UNC #10-24 x 0.63 [16] DP
 Adaptor mounting hardware is supplied.
 See page 63 for itemized list.



3 Adapt D03 valve to Rivett RVT65 manifold

Adaptor interface seal kit is supplied.
 See page 63 for itemized list.



Adapt D03 valve to Rexroth WE5 manifold

Valve mtg: UNC #10-24 x 0.63 [16] DP
 Adaptor mounting hardware is supplied.
 See page 63 for itemized list.



Specifications, descriptions, and dimensional data are subject to correction or change without notice or incurring obligation.

Ordering Information

