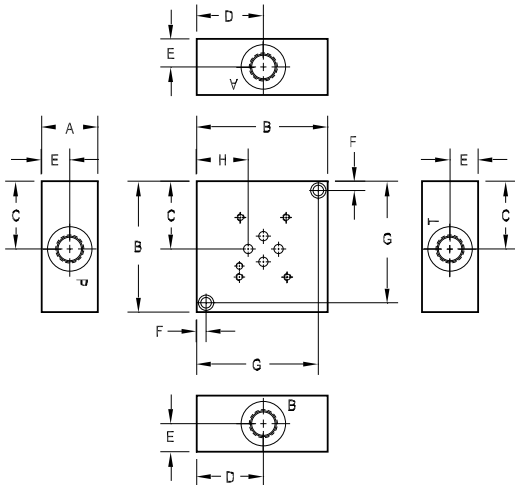




D03 Subplates

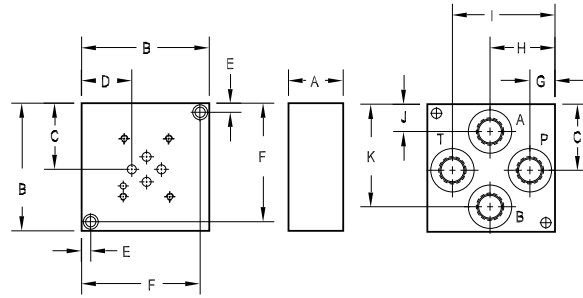
Side Ported Subplate

Valve mtg: UNC #10-24 x 0.63 DP or
Metric M5-0.8mm ISO 6H x [16] DP
Subplate mounting hardware is supplied.
See page 82 for itemized list.



Back Ported Subplate

Valve mtg: UNC #10-24 x 0.63 DP or
Metric M5-0.8mm ISO 6H x [16] DP
Subplate mounting hardware is supplied.
See page 82 for itemized list.



Dimension	A	B	C	D	E	F	G	H
*D03SPS4P	1.00	2.50	1.31	1.25	0.50	0.25	2.25	0.88
D03SPS6	[25.4]	[63.5]	[33.3]	[31.8]	[12.7]	[6.4]	[57.2]	[22.4]
D03SPS8	1.50	3.50	1.81	1.78	0.75	0.25	3.25	1.38
D03SPS12	[38.1]	[88.9]	[46.0]	[45.2]	[19.1]	[6.4]	[82.6]	[34.9]
D03SPS8	1.50	3.50	1.81	1.38	0.25	3.25	0.69	1.78
D03SPS12	[38.1]	[88.9]	[46.0]	[34.9]	[6.4]	[82.6]	[17.5]	[45.2]
D03SPS8	1.50	4.50	2.31	1.88	0.38	4.13	0.94	2.28
D03SPS12	[38.1]	[114.3]	[58.8]	[47.6]	[9.5]	[104.8]	[23.8]	[57.9]

Dimension	A	B	C	D	E	F	G	H	I	J	K
*D03SPB4P	1.00	2.50	1.31	0.88	0.25	2.25	0.66	1.28	1.91	0.75	1.88
D03SPB6	[25.4]	[63.5]	[33.3]	[22.4]	[6.4]	[57.2]	[16.7]	[32.5]	[48.4]	[19.1]	[47.6]
D03SPB6	1.00	2.50	1.31	0.88	0.25	2.25	0.59	1.28	1.97	0.69	1.94
D03SPB8	[25.4]	[63.5]	[33.3]	[22.4]	[6.4]	[57.2]	[15.1]	[32.5]	[50.0]	[17.5]	[49.2]
D03SPB8	1.50	3.50	1.81	1.38	0.25	3.25	0.69	1.78	2.81	0.75	2.81
D03SPB12	[38.1]	[88.9]	[46.0]	[34.9]	[6.4]	[82.6]	[17.5]	[45.2]	[71.4]	[19.1]	[71.4]
D03SPB12	1.50	4.50	2.31	1.88	0.38	4.13	0.94	2.28	3.56	0.94	3.56
	[38.1]	[114.3]	[58.8]	[47.6]	[9.5]	[104.8]	[23.8]	[57.9]	[90.5]	[23.8]	[90.5]

Specifications, descriptions, and dimensional data are subject to correction or change without notice or incurring obligation.

Ordering Information



Material	
A	Aluminum - 6061-T6 3000 psi • 20.7 MPa
D	Ductile Iron - D4512 5000 psi • 34.5 MPa

Valve Pattern	
D03	ISO 4401-03-02 NFFPA T3.5.1-D03 See section 9

Port Location	
S	Side ported
B	Back Ported

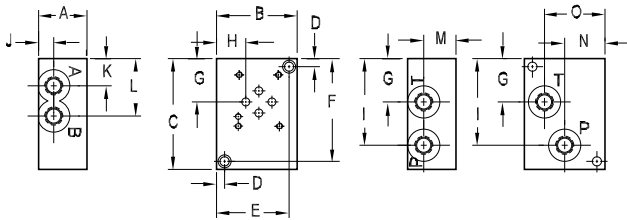
Port Threads			
4P	0.25-18 NPTF ANSI B1.20.3		
6P	0.38-18 NPTF ANSI B1.20.3	8P	0.50-14 NPTF ANSI B1.20.3
6S	-6 SAE ISO 11926; SAE 1926	8S	-8 SAE ISO 11926; SAE 1926
6B	0.38-19 BSPP ISO 1179; BS 2779	8B	0.50-14 BSPP ISO 1179; BS 2779
6M	M14 x 1.5 ISO 6149	8M	M18 x 1.5 ISO 6149
6T	0.38-19 BSPT ISO 7; BS 21	8T	0.50-14 BSPT ISO 7; BS 21
		12P	0.75-14 NPTF ANSI B1.20.3
		12S	-12 SAE ISO 11926; SAE 1926
		12B	0.75-14 BSPP ISO 1179; BS 2779
		12M	M27 x 2.0 ISO 6149
		12T	0.75-14 BSPT ISO 7; BS 21



D03 Subplates

Dual Ported Subplate

Valve mtg: UNC #10-24 x 0.50 DP or
Metric M5-0.8mm ISO 6H x [12.7] DP
Subplate mounting hardware is supplied.*
See page 82 for itemized list.
* Plugs not supplied with metric ported parts.

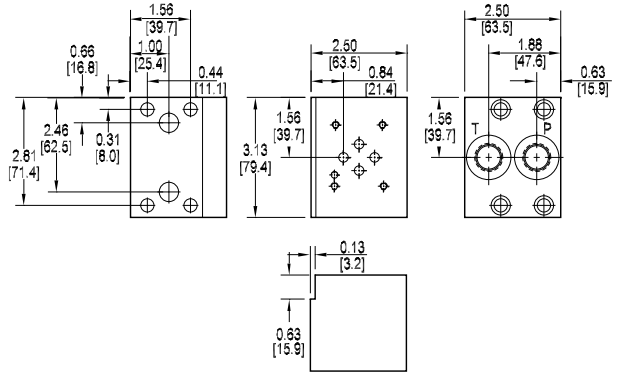


Dimension	A	B	C	D	E	F	G	H
D03SPSB6	1.50 [38.1]	2.50 [63.5]	3.44 [87.4]	0.25 [6.4]	2.25 [57.2]	3.19 [81.0]	1.34 [34.0]	0.91 [23.1]
D03SPSB8	2.00 [50.8]	2.75 [69.9]	3.75 [95.3]	0.25 [6.4]	2.50 [63.5]	3.50 [88.9]	1.34 [34.0]	0.91 [23.1]

Dimension	I	J	K	L	M	N	O
D03SPSB6	2.69 [68.3]	0.47 [11.9]	0.72 [18.3]	1.78 [45.2]	1.00 [25.4]	1.25 [31.8]	1.88 [47.8]
D03SPSB8	3.00 [76.2]	0.88 [22.2]	0.69 [17.5]	1.94 [49.2]	1.38 [34.9]	1.44 [36.5]	1.94 [49.2]

Motor Mounted Subplate

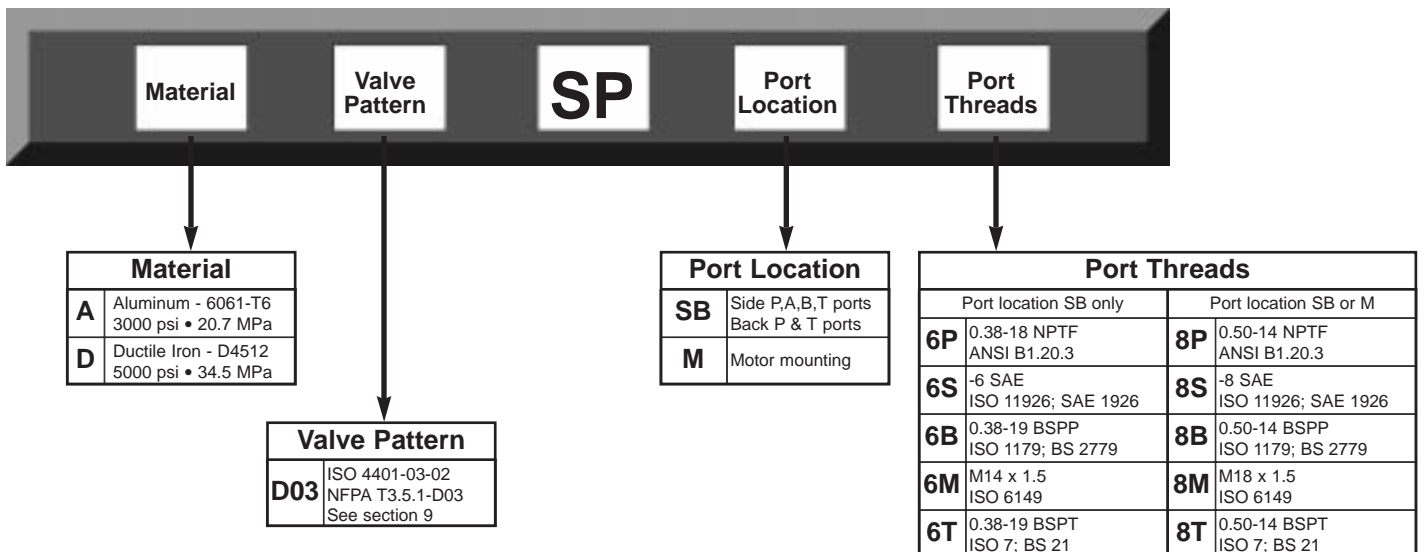
Valve mtg: UNC #10-24 x 0.63 DP or
Metric M5-0.8mm ISO 6H x [16] DP
Subplate mounting hardware is supplied.
See page 82 for itemized list.



Specifications, descriptions, and dimensional data are subject to correction or change without notice or incurring obligation.

4

Ordering Information





D03 Subplates with Relief Cavity

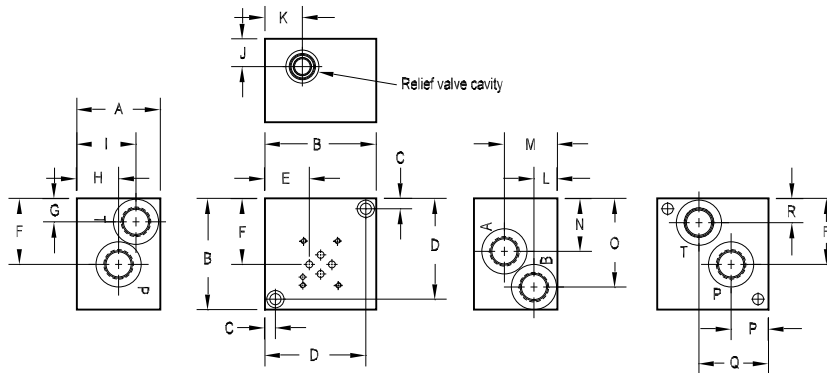
Dual Ported Subplate with Main Relief Cavity

Valve mtg: UNC #10-24 x 0.63 DP or
Metric M5-0.8mm ISO 6H x [16] DP

Subplate mounting hardware is supplied.*

See page 82 for itemized list.

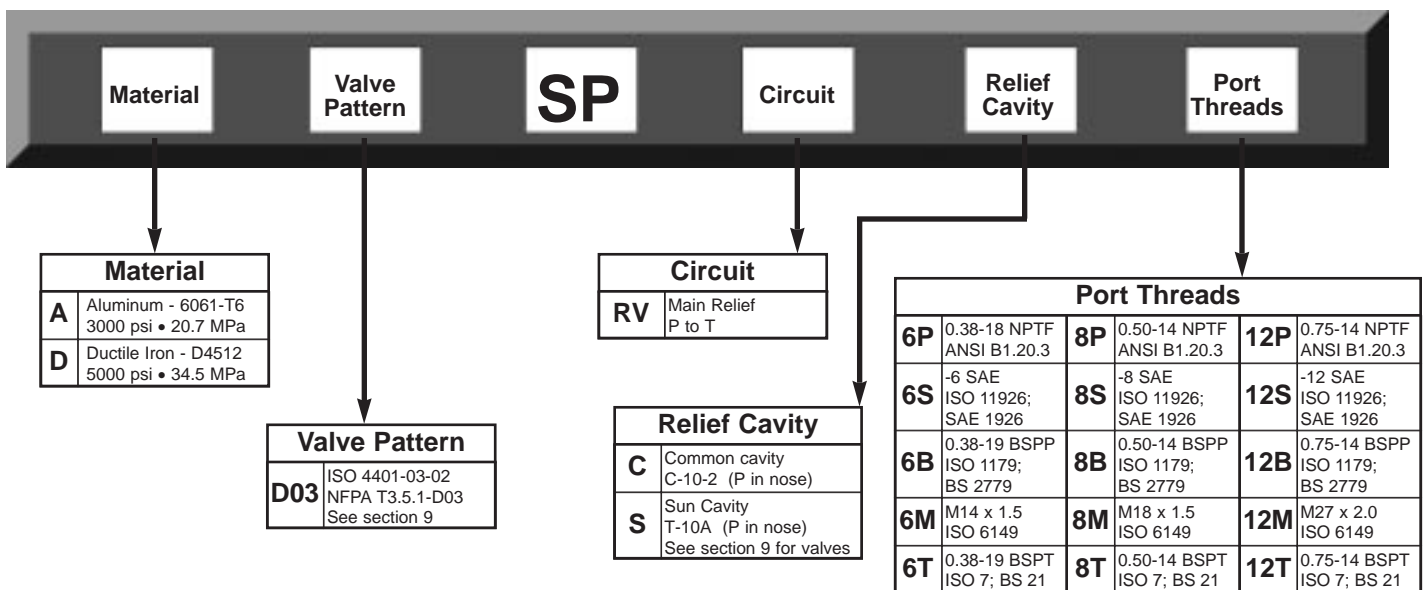
* Plugs not included with metric ported parts.



Dimension	A	B	C	D	E	F	G	H	I	J	K	L	M	N	O	P	Q	R
*D03SPRV*6*	2.25 [57.2]	3.00 [76.2]	0.31 [7.9]	2.69 [68.3]	0.97 [24.6]	2.00 [50.8]	0.69 [17.5]	1.66 [42.1]	1.66 [42.1]	0.88 [22.2]	0.84 [21.3]	0.88 [22.2]	1.63 [41.3]	1.53 [38.9]	2.37 [60.2]	0.97 [24.6]	1.69 [42.9]	0.69 [17.5]
*D03SPRV*8*	3.00 [76.2]	3.50 [88.9]	0.38 [9.5]	3.12 [79.4]	1.34 [34.1]	2.19 [55.6]	0.81 [20.6]	1.50 [38.1]	2.00 [50.8]	1.00 [25.4]	1.09 [22.8]	0.84 [21.4]	1.91 [48.4]	1.72 [43.6]	2.53 [64.3]	1.09 [22.8]	2.25 [57.2]	0.81 [20.6]
*D03SPRV*12*	3.00 [76.2]	4.00 [101.6]	0.38 [9.5]	3.63 [92.1]	1.59 [40.5]	2.38 [60.3]	0.84 [21.4]	1.50 [38.1]	2.13 [54.0]	1.00 [25.4]	1.34 [34.1]	0.84 [21.4]	1.91 [48.4]	1.91 [48.4]	3.19 [81.0]	1.34 [34.1]	2.50 [63.5]	0.88 [22.2]

Specifications, descriptions, and dimensional data are subject to correction or change without notice or incurring obligation.

Ordering Information

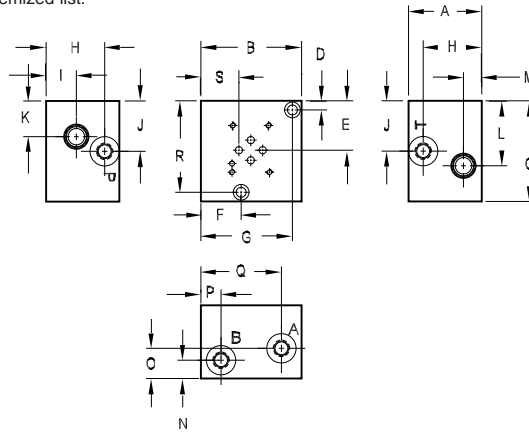




D03 Subplates with Relief Cavity

Side Ported Subplate with Cylinder Port Crossover Relief Cavities

Valve mtg: UNC #10-24 x 0.63 DP or
Metric M5-0.8mm ISO 6H x [16] DP
Subplate mounting hardware is supplied.
See page 82 for itemized list.



Dimension	A	B	C	D	E	F	G	H	I	J	K	L	M	N	O	P	Q	R	S
*D03SPCR*6*	2.50 [63.5]	3.50 [88.9]	3.50 [88.9]	0.31 [7.9]	1.69 [42.9]	1.38 [35.1]	3.13 [79.5]	2.00 [50.8]	1.03 [26.2]	1.72 [43.7]	1.22 [31.0]	2.22 [56.4]	0.63 [16.0]	0.63 [16.0]	1.03 [26.2]	0.69 [17.5]	2.75 [69.9]	3.13 [79.5]	1.30 [33.0]
*D03SPCR*12*	4.00 [101.6]	5.00 [127.0]	4.50 [114.3]	0.38 [9.5]	2.00 [50.8]	2.50 [63.5]	2.50 [63.5]	3.00 [76.2]	1.25 [31.8]	2.00 [50.8]	1.28 [32.5]	2.70 [68.7]	1.00 [25.4]	1.25 [31.8]	1.63 [41.3]	1.00 [25.4]	4.00 [101.6]	4.13 [104.8]	2.06 [52.8]

Specifications, descriptions, and dimensional data are subject to correction or change without notice or incurring obligation.

4

Ordering Information

