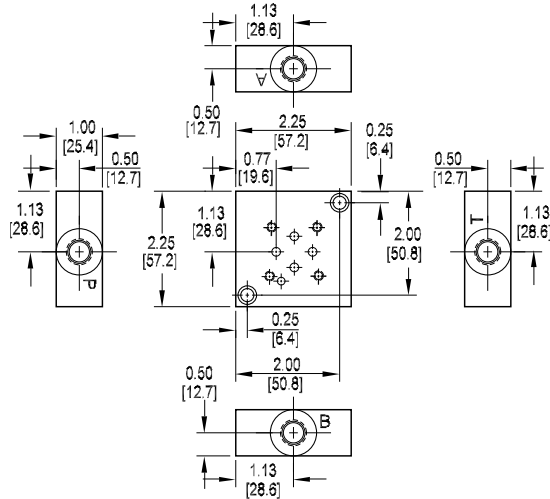




## D02 Subplates

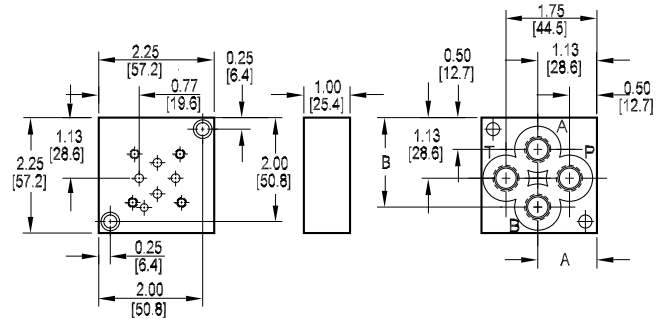
### Side Ported Subplate

Valve mtg: UNC #10-24 x 0.63 DP or  
Metric M5-0.8mm ISO 6H x [16] DP  
Subplate mounting hardware is supplied.  
See page 82 for itemized list.



### Back Ported Subplate

Valve mtg: UNC #10-24 x 0.63 DP or  
Metric M5-0.8mm ISO 6H x [16] DP  
Subplate mounting hardware is supplied.  
See page 82 for itemized list.



Dimension	A	B
*D02SPB4P	1.22	1.88
*D02SPB4T	[31.0]	[47.6]
*D02SPB4S		
*D02SPB4B	1.13	1.75
*D02SPB4M	[28.6]	[44.5]

Specifications, descriptions, and dimensional data are subject to correction or change without notice or incurring obligation.

4

## Ordering Information

